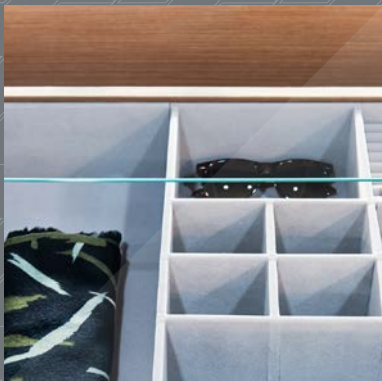




Wardrobe, Bathroom and Laundry

> Limited only by your imagination



Wardrobe, Bathroom and Laundry



Choosing quality hardware is important not just for the kitchen but for all areas of the home. Lincoln Sentry is proud to offer a range of quality solutions for the wardrobe, bathroom and laundry. From laundry hampers to sliding systems and bathroom accessories, beautiful design now goes well beyond the facade of cabinets and bench tops, delighting the senses every time you interact with the space.

With a wide range of products from suppliers all over the world, there is truly no compromise for quality, but there is an increasingly large range of options for your clients available through Lincoln Sentry.

Contents

Wardrobe

- Finista Slim
- Hanging Rail
- Accessories
- Lighting
- Drawer Organisation

- 5
- 8
- 10
- 13
- 14



Sliding

- Sliding Cabinet Solutions
- Bi-Fold Cabinet Solutions
- Bi-Fold Pocket Solution
- Pocket Doors
- Flush Sliding Door System
- Hinge Door System

- 16
- 18
- 22
- 24
- 28
- 30



Laundry

- Laundry Hampers
- Ironing Boards
- Laundry Accessories
- Laundry Vents

- 33
- 34
- 36
- 39



Bathroom

- Shower Hinges
- Shower Brackets
- Shower Knobs
- Onda Drawer Organisation

- 41
- 42
- 44
- 46



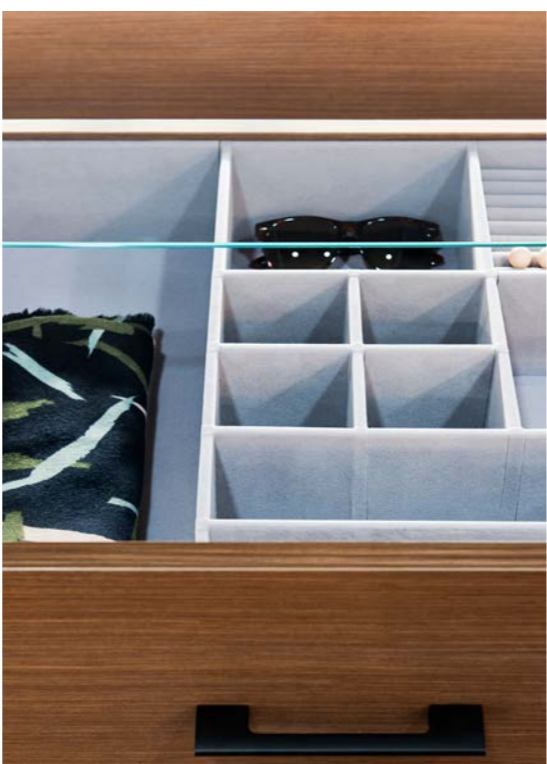
Finista Slim Products

Wardrobe



The Finista Slim Aluminium System is a multifunctional shelving program that will allow you to design an endless array of storage solutions in many different rooms in the house or commercial situations. Manufactured in northern Italy, this range of products will allow you to create a wardrobe frame system, hanging bookshelf, a room divider or even a book display case – the possibilities are endless.

The unique design of the aluminium bar allows you to choose between having a concave or convex leading profile. All joiners and accessories can be used with each profile.



Left: Finista Slim Concave Profile
Right: Finista Slim Convex Profile

Aluminium Bar 3000mm

Finish	Code
Anodised	1-611-100
Matt Black	1-611-130

Features:

- Aluminium Anodised Bar
- W16mm x D52.77mm x L3000mm
- Two profile options – concave or convex
- Easy to cut to length with straight cuts
- Accessories attached to channel on edge of bar by using allen key screw



Adjustable Foot

Finish	Code
Anodised	1-611-103
Matt Black	1-611-132

Features:

- Comes with 1 x foot bracket, 1 x self threading screw and 1 x adjustable foot
- Slides into and connects to base of aluminium bar
- Foot bracket adds 11mm to length of vertical bar once installed (does not include adjustment height)
- Foot can be adjusted by max 15mm in length



Wall/Ceiling Connector

Finish	Code
Anodised	1-611-104
Matt Black	1-611-133

Features:

- Comes with 1 x corner joint and 1 x wall connection
- Slides and connects to aluminium bar
- Adds 24mm to the length of the horizontal bar once installed
- Bar attaches to wall connect or by sliding down onto the bracket



Sloping Ceiling Connector

Finish	Code
Anodised	1-611-106
Matt Black	1-611-138

Features:

- Comes with 1 x ceiling adapter and 1 x fixing kit – 3 x M4 screws, 1 x self threading screw, ceiling screw
- Allows for the aluminium bar to be attached to a sloping ceiling with an angle of between 0° and 45°*



Flat Shelf Holder

Finish:	Code:
Anodised	1-611-101
Matt Black	1-611-131

Features:

- W160mm x D22mm x H22mm
- Supplied as a pair
- Attached to channel on aluminium bar
- Able to attach wooden shelf and drawer
- Glass shelf requires 1-611-102 glass shelf bracket to install



Glass Shelf Bracket

Finish	Code
Anodised	1-611-102
Matt Black	1-611-137

Features:

- To be used in conjunction with flat shelf holder (1-611-101)
- Comes with 1 x glass shelf bracket and 4 x grommets
- Able to hold any thickness glass shelf



1-611-101 and 1-611-102 shown

Sloping Shelf

Finish	Code
Anodised	1-611-107
Matt Black	1-611-135

Features:

- Allows you to create a shelf on any angle, with a full 360° adjustment
- Designed for wooden shelves only
- Perfect to create shoe racks, magazine displays



Desk Bracket

Finish	Code
Anodised	1-611-109

Features:

- Supplied in pairs
- 445mm long
- Drills directly into wall – does not connect to aluminium bar



Rail Tube Holder

Finish	Code
Anodised	1-611-108
Matt Black	1-611-136

Features:

- Suits W15mm x H30mm tube
- Fully adjustable in height

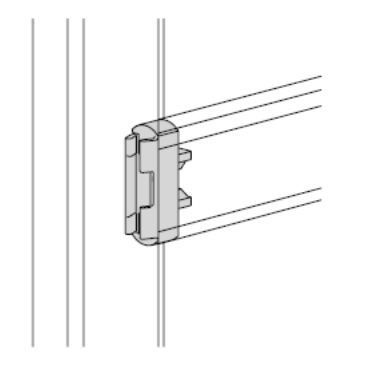


Intermediate Support Bracket

Finish:	Code:
Anodised	1-611-111
Matt Black	1-611-139

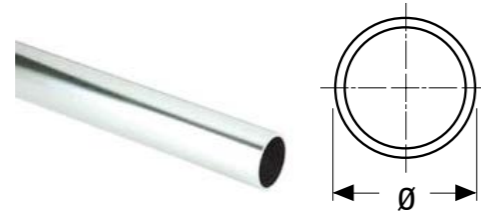
Features:

- For use with an additional piece of the aluminium bar horizontally for extra support
- Can be positioned at desired height



Hanging Rail Solutions

Round Tube



Finish	Tube Ø	Length	Code
White	25mm	4m	1-491-170
Stainless Steel	19mm	3m	1-491-181
Chrome Plated	19mm	3.6m	1-491-186
Chrome Plated	25mm	3.6m	1-491-188

Chrome Flange To Suit Round Tube

Features:

- Suits round tube rail
- 1-490-250 has 200 per box

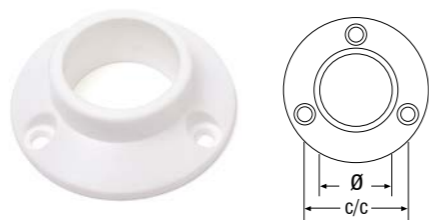


Finish	Suits Tube Ø	C/C	Code
Chrome Plated	19mm	36mm	1-490-190
Chrome Plated	25mm	45mm	1-490-250

White Flange To Suit Round Tube

Features:

- Suits 25mm round tube rail (1-491-188, 1-491-170)



Finish	Suits Tube Ø	C/C	Code
White Plastic	25mm	36 mm	1-490-251

Centre Pillar To Suit Round Tube

Features:

- Suits round tube rail

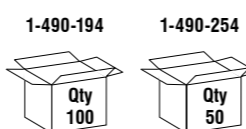
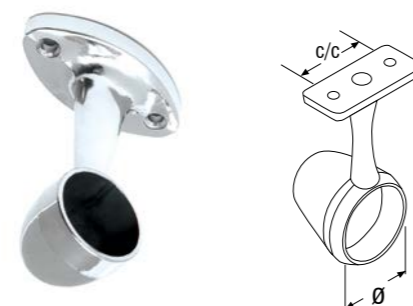


Finish	Suits Tube Ø	C/C	Code
Chrome Plated	19mm	36mm	1-490-192
Chrome Plated	25mm	42mm	1-490-252

End Pillar To Suit Round Tube

Features:

- Suits round tube rail



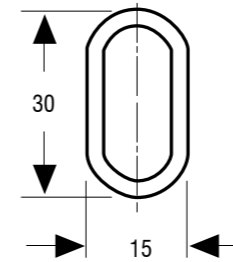
Finish	Suits Tube Ø	C/C	Code
Chrome Plated	19mm	36mm	1-490-194
Chrome Plated	25mm	42mm	1-490-254

Hanging Rail Solutions

Oval Tube

Features:

- Aluminium, 1mm thick tube - 30mm x 15mm
- 3.6m lengths, comes in bundles of 10
- Comes in 4 different colours. Chrome has a smooth finish, while the white, black and anodised have ridges
- Steel version also available



Finish	Material	Length	Code
White Powder Coat	Aluminium	3.6m	1-490-110
Black Powder Coat	Aluminium	3.6m	1-490-120
Anodised	Aluminium	3.6m	1-490-140
Chrome	Aluminium	3.6m	1-490-130
Chrome Plated	Steel	3.6m	1-491-196

End Support to suit Oval Tube

Features:

- Suits oval tube rail



Finish	Style	Code
White Powder Coat	Knock In	1-490-112
White Powder Coat	Screw On	1-490-114
Black Powder Coat	Knock In	1-490-122
Black Powder Coat	Screw On	1-490-124
Anodised	Knock In	1-490-142
Anodised	Screw On	1-490-144
Chrome	Knock In	1-490-132
Chrome	Screw On	1-490-134

Centre Pillar To Suit Oval Rail

Features:

- Suits oval tube rail



Finish	C/C	Code
White Powder Coat	28.5mm	1-490-116
Black Powder Coat	28.5mm	1-490-126
Anodised	28.5mm	1-490-146
Chrome	28.5mm	1-490-136

End Pillar To Suit Oval Rail

Features:

- Suits oval tube rail

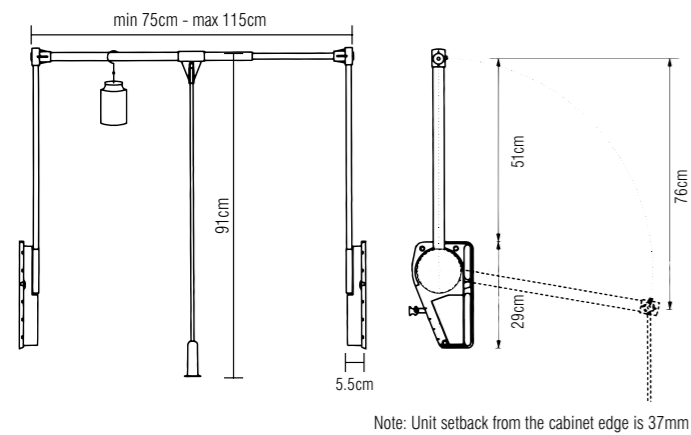


Finish	C/C	Code
White Powder Coat	34mm	1-490-118
Black Powder Coat	34mm	1-490-128
Anodised	34mm	1-490-148
Chrome	34mm	1-490-138

Ambos Super Lift Wardrobe Hanger

Features:

- Hydraulic device
- Adjustable arm verticality
- Steel mechanism
- Grey/chrome finishes
- Load capacity 20kg



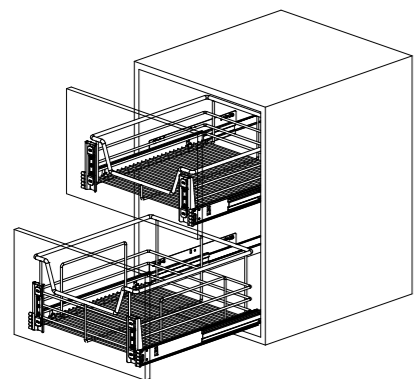
Description	Internal Cabinet Width	Code
Ambos Super Lift Hanger	750mm-1150mm	1-490-450
Ambos Super Lift Spacer	20mm	1-490-452



Finista Drawer Pullout

Features:

- All baskets come with front attachment bracket as standard
- Soft close runners
- Load capacity = 40kg
- Kit includes: 1 x basket, 2 x runners, 1 x front attachment bracket (pair)
- Suits 16-19mm board



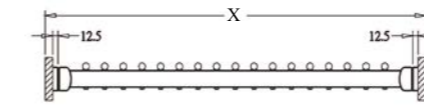
Drawer Height	External Cabinet Width	Internal Cabinet Height	External Cabinet Depth	Basket	Code
135mm	450mm	160mm min.	515mm min.	Chrome	1-471-020
135mm	600mm	160mm min.	515mm min.	Chrome	1-471-021
135mm	900mm	160mm min.	515mm min.	Chrome	1-471-022
200mm	450mm	225mm min.	515mm min.	Chrome	1-471-023
200mm	600mm	225mm min.	515mm min.	Chrome	1-471-024
200mm	900mm	225mm min.	515mm min.	Chrome	1-471-025



Finista Pullout Pant Rack

Features:

- Soft close runner
- Housing: aluminium with satin chrome finish
- Rails: steel with satin chrome finish
- Suits 16-19mm board



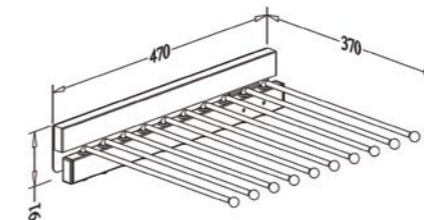
External Cabinet Width (X)	Internal Cabinet Depth	Rails	Colour	Code
450mm	400mm min.	7	Satin Chrome	1-472-002
600mm	400mm min.	10	Satin Chrome	1-472-003
			Matt Black	1-472-203
900mm	400mm min.	17	Satin Chrome	1-472-004
			Matt Black	1-472-204



Finista Slide Out Pant Rack

Features:

- Universal left or right installation
- Housing: steel with satin chrome finish
- Rails: steel with satin chrome finish



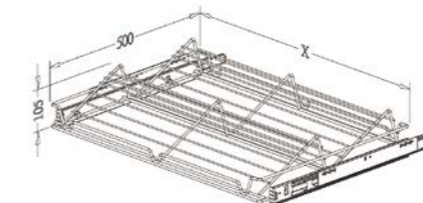
External Cabinet Width	Internal Cabinet Depth	Rails	Colour	Code
450mm min	480mm min.	10	Satin Chrome	1-472-005
			Matt Black	1-472-205



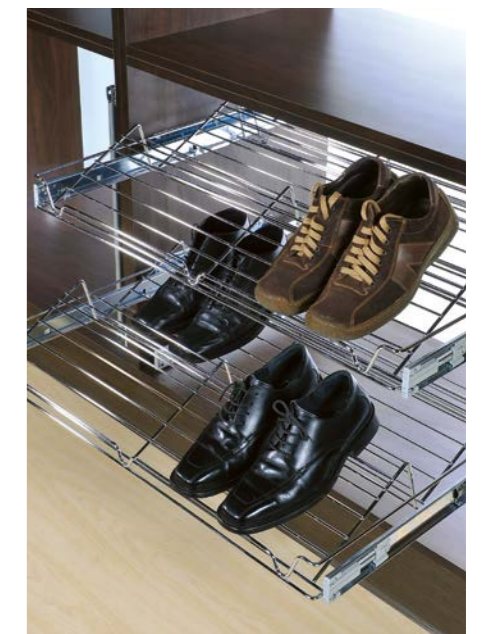
Finista Pullout Shoe Rack

Features:

- Soft close runner
- Attaches to side of cabinet
- Chrome finish
- Can install multiple rows above each other
- Suits 16-19mm board



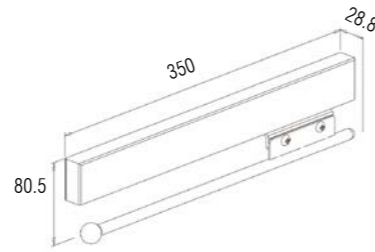
External Cabinet Width (X)	Internal Cabinet Depth	Pairs	Colour	Code
600mm	550mm min.	4-6	Satin Chrome	1-472-000
			Matt Black	1-472-200
900mm	550mm min.	10-12	Satin Chrome	1-472-001
			Matt Black	1-472-201



Finista Pullout Valet Rod

Features:

- Universal left or right installation
- Steel with satin chrome finish
- Great for hanging clothes hangers on

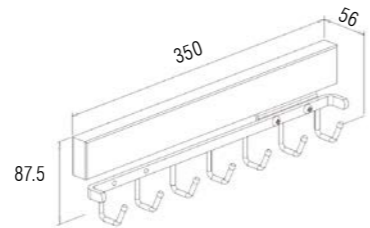


Internal Cabinet Width	Internal Cabinet Depth	Colour	Code
50mm min	385mm	Satin Chrome	1-472-010
		Matt Black	1-472-210

Finista Pullout Belt Rack

Features:

- Universal left or right installation
- Steel with satin chrome finish

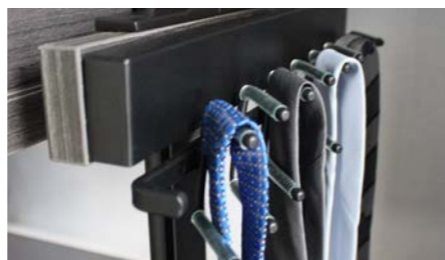
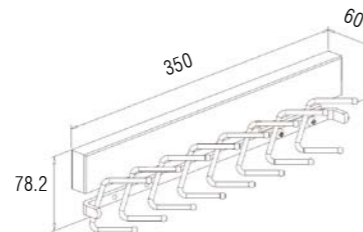


Internal Cabinet Width	Internal Cabinet Depth	Positions	Colour	Code
100mm min	385mm	7	Satin Chrome	1-472-011
			Matt Black	1-472-211

Finista Pullout Tie Rack

Features:

- Universal left or right installation
- Steel with satin chrome finish



Internal Cabinet Width	Internal Cabinet Depth	Positions	Colour	Code
100mm min	385mm	16	Satin Chrome	1-472-012
			Matt Black	1-472-212

Tie Rack - Pullout

Features:

- Screw-on side mount
- Slide out rail for easy access
- Length: 360mm
- Holds 23 ties



Finish	Code
Satin Chrome / Black Plastic	1-491-155

Hat and Coat Racks

Features:

- Chrome plated
- Screws included

Number of Hooks	Width	Depth	Height	Code
5	350mm	30mm	52mm	1-490-272
1	75mm projection			1-490-270



LED Wardrobe Tube Luminaire

Wardrobe Tube Luminaire with motion-activated switch



Connection: LED transformer DC 24 V

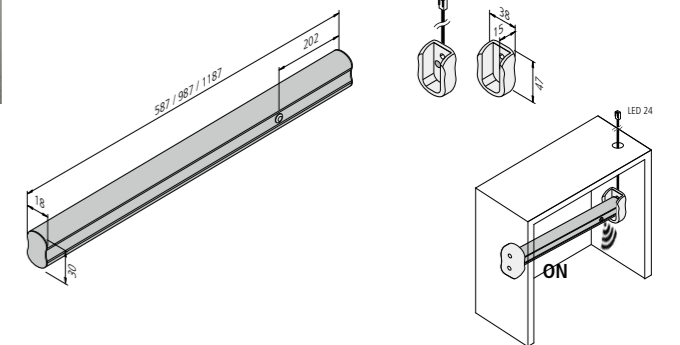
Life: L70/B10 ≥ 50.000 hours


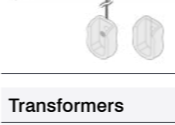


Energy efficiency: LED 140 lm/W; luminaire 385 / 665 / 805 lm (70 lm/W); this luminaire contains built-in, irreplaceable LED lamps of the energy class A bis A++

Colour rendering: Ra/CRI > 80

Special features: Integrated motion-activated switch with a 30 seconds delay; can be shortened individually.

LED Wardrobe Tube Luminaire	0,6m	1m	1,2m
0,5m	Ø 620 484 lx	808 lx	968 lx
1,0m	Ø 1240 121 lx	202 lx	242 lx
1,5m	Ø 1860 54 lx	90 lx	108 lx
2,0m	Ø 2480 30 lx	51 lx	61 lx
2,5m	Ø 3100 19 lx	32 lx	39 lx



Article	Features	Code
	LED Wardrobe Tube Luminaire 5.5W, suits 600mm internal cabinet width, product length 587mm	Colour appearance nw (neutral white), 4000k Supply cable 2.5M with LED 24 plug Matt Chrome, includes clear plastic end flanges 1-632-051
	LED Wardrobe Tube Luminaire 9.5W, suits 1000mm internal cabinet width, product length 987mm	Colour appearance nw (neutral white), 4000k Supply cable 2.5M with LED 24 plug Matt Chrome, includes clear plastic end flanges 1-632-053
	LED Wardrobe Tube Luminaire 11.5W, suits 1200mm internal cabinet width, product length 1187mm	Colour appearance nw (neutral white), 4000k Supply cable 2.5M with LED 24 plug Matt Chrome, includes clear plastic end flanges 1-632-055
Transformers	Features	Code
	LED 24/15W	Mains Cable, 2M. 12-way distributor 1-631-800
	LED 24/30W	Mains Cable, 2M. 12-way distributor 1-631-802
	LED 24/60W	Mains Cable, 2M. 12-way distributor 1-631-803
	LED 24/75W	Mains Cable, 2M. 12-way distributor 1-631-804

Drawer Organisation



Finista Velvet Wardrobe

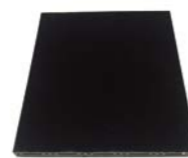
Ultimate wardrobe organisation and style

New to Lincoln Sentry, the Finista wardrobe organisation system is a stylish yet practical addition to any wardrobe. Available in black and grey velvet finishes, this system can be fully customised to fit in any space. The modular design is easy to install and comes in two different heights – 60mm and 90mm.

- System comes in black and light grey velvet
- Easy to use and install
- Can be customised to fit any space
- Wide range of different layout options
- Divider pieces come in 2m lengths that can be cut to size
- Two different heights of 60mm and 90mm
- Velvet matting comes in a roll (1.5m W x 3m L) and is cut to suit drawer base
- Connecting pieces and accessories are available separately. These include; corner pieces, watch holders and ring inserts.

Drawer Divider

Height	Length	Finish	Description	Code
60mm	2m	Black velvet	Drawer divider	1-472-030
60mm		Grey velvet	Drawer divider	1-472-050
90mm		Black velvet	Drawer divider	1-472-034
90mm		Grey velvet	Drawer divider	1-472-054



60mm

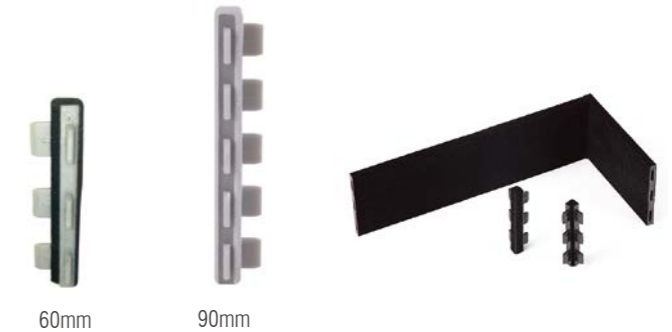


90mm

Drawer Organisation

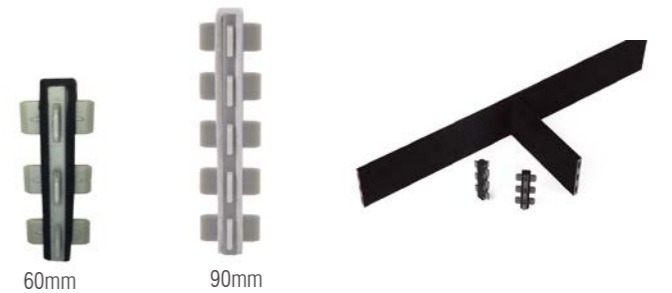
2 Side Connector

Height	Finish	Description	Code
60mm	Black velvet	2 side connector	1-472-031
60mm	Grey velvet	2 side connector	1-472-051
90mm	Black velvet	2 side connector	1-472-035
90mm	Grey velvet	2 side connector	1-472-055



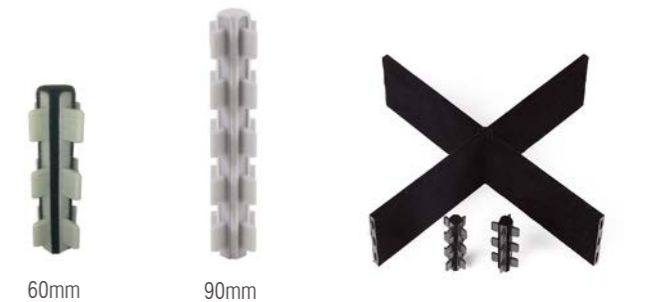
3 Side Connector

Height	Finish	Description	Code
60mm	Black velvet	3 side connector	1-472-032
60mm	Grey velvet	3 side connector	1-472-052
90mm	Black velvet	3 side connector	1-472-036
90mm	Grey velvet	3 side connector	1-472-056



4 Side Connector

Height	Finish	Description	Code
60mm	Black velvet	4 side connector	1-472-033
60mm	Grey velvet	4 side connector	1-472-053
90mm	Black velvet	4 side connector	1-472-037
90mm	Grey velvet	4 side connector	1-472-057

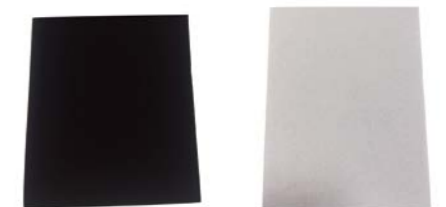


Self Adhesive Velvet

Features:

- Roll size: 1.5m wide x 3m long
- Cut to size
- Velvet matting with self adhesive back

Finish	Description	Code
Black velvet	Self Adhesive Velvet, W 1.5m x L 3m	1-472-042
Grey velvet	Self Adhesive Velvet, W 1.5m x L 3m	1-472-062



Ring Insert

Features:

- Small: 120mm x 100mm x 50mm
- Large: 150mm x 200mm x 80mm

Size	Finish	Description	Code
Small	Black velvet	Ring insert	1-472-039
Small	Grey velvet	Ring insert	1-472-059
Large	Black velvet	Ring insert	1-472-040
Large	Grey velvet	Ring insert	1-472-060



Watch Insert

Features:

- To suit all profile sizes
- Velvet cushion: 80mm x 80mm square (maximum thickness 45mm)
- Perfect way to display watches/bracelets

Finish	Description	Code
Black velvet	Watch insert	1-472-041
Grey velvet	Watch insert	1-472-061



TRACK-PRO Sliding Door



Two-Way Soft-Close Sliding Door System

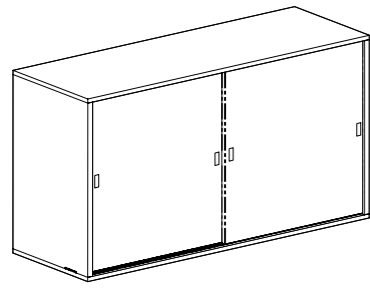
Suits Wooden doors

Features:

- Two way Soft-Close Damper (opening and closing)
- Minimum track length for soft closing 410mm
- Track length < 820mm will require one Soft-Close damper at the top and one at the bottom (due to soft-closing mechanism length x 2)
- Gentle and smooth door rolling action
- Suitable for 16mm door thickness or greater
- Soft-close inserts into track and aligns with roller to activate, adjustable to suit handle placement
- Effective catching mechanism prevents door disengagement
- Convenient door adjustment thanks to unique eccentric disc design on bottom rollers
- Door height; 9mm sprung adjustment and 4mm eccentric adjustment

Special Note:

- Soft-Close Damper installation required into aluminium track before inserting track into groove if side access isn't possible
- Soft-Close insertion suggested into top track for optimal performance

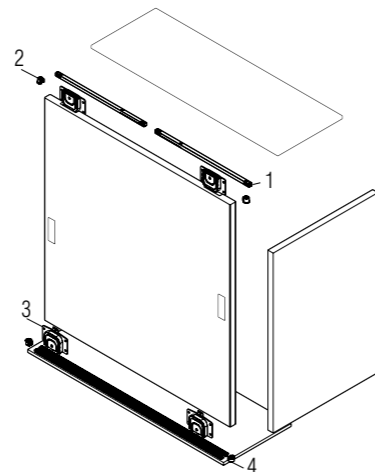


Set includes	
Description	Diagram
1 2 X Damper	
2 4 X Insert-type Roller	
3 4 X Track Plug	

Two-way Soft-close Insert-type Roller for wooden door			
Door Weight Kg	Code	One set required per door	
A = 5-15	2-130-005		
B = 15-30	2-130-007		
C = 30-50	2-130-009		

Track (Supplied as EA, 1 = 1 x 3M Track)	Length	Code	Qty p/ Carton
Suits Top and Bottom	3M	2-130-015	40

To be ordered as an individual item	
Description	Diagram
4 Track to be ordered as individual lengths	

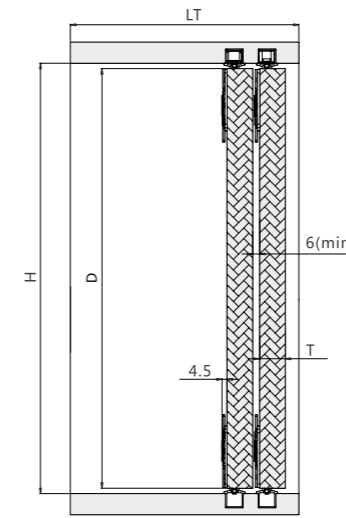


Planning - TRACK-PRO Sliding Door

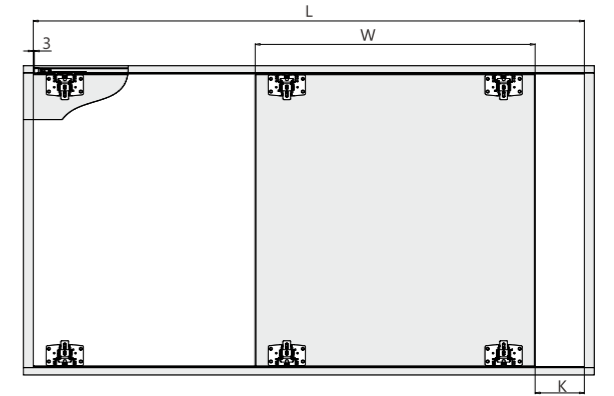


Sliding Door Installation Dimensions (mm)

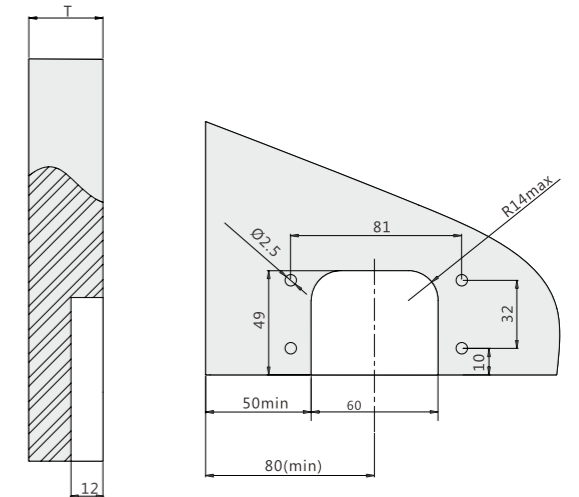
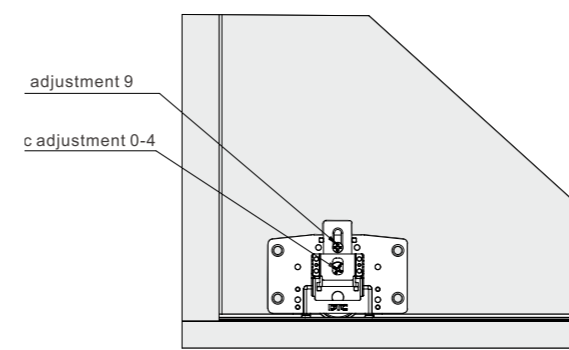
H = wardrobe internal height
 LT = wardrobe internal depth
 T = door thickness
 Wardrobe internal depth: LT = 95(min)
 Door height D = H - 12^{+3.0}
 Door thickness T ≥ 16
 Distance from door bottom to bottom track surface: 2~11



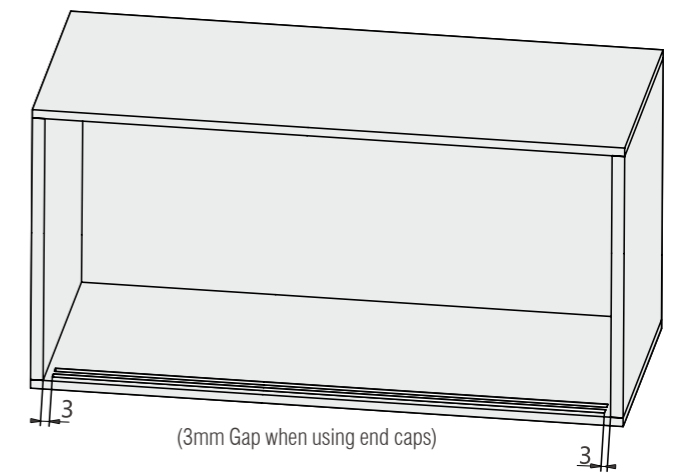
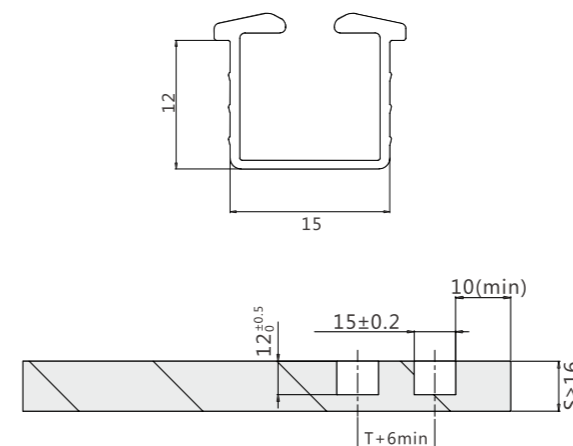
W = door width
 L = wardrobe internal width
 Door width: W = L/2 + 15
 Door self-closing distance K = 50



Sliding Door Drilling Dimensions (mm)



Top and Bottom Track Installation Dimensions (mm)



BF-06 Bi-Fold Door System

Features:

- Top track ONLY
- 600mm MAX Door Leaf width
- 25Kg MAX Door Leaf weight
- 25mm MAX Door thickness
- 3000m MAX Door height
- 2 Track options, Anodised or Powdercoated white aluminium



BF-06 Door Kits Including Track

Kits suit 4 doors (1 x left & 1 x right with 1 x 2.4m track)	
Description	Diagram
2 X Upper Roller (Left & Right)	
8 x Centre Hinges	
2.4m Aluminium Track	

Description	Code
Finista, BF-06 4 Door Kit with 1 x 2.4m Anodised Silver Aluminium Track	2-113-600
Finista, BF-06 4 Door Kit with 1 x 2.4m White Powdercoated Aluminium Track	2-113-605

(Selection based on standing in front of closed cabinet doors. Hinges to connect to cabinet not included within kits)

BF-06 Individual Sets & Components

Sets for 2 doors only include (left or right hand available)	
Description	Diagram
1 X Upper Roller	
4 x Centre Hinges	
Track (two options, see right table)	
2.4m Aluminium Track	
Extra Centre Hinge Set (optional)	
Extra Centre Hinge Set	
<ul style="list-style-type: none"> • (option for doors over 2000m in height) • includes 2 hinges 	



Two Door Sets (track not included)	Code
Finista, BF-06 2 Door Set, Left Hand Set	2-113-60L
Finista, BF-06 2 Door Set, Right Hand Set	2-113-60R

(Selection based on standing in front of closed cabinet doors. Hinges to connect to cabinet not included within sets)

Components	Code
Finista, BF-06 Track 2.4m, Anodised Silver	2-113-601
Finista, BF-06 Track 2.4m, Powdercoated White	2-113-602
Finista, BF Centre Hinge, 2 Hinges per set	2-113-610

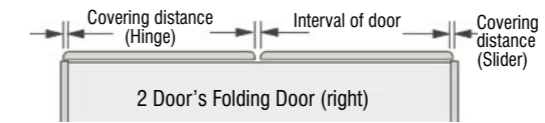
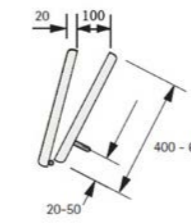
(Selection based on standing in front of closed cabinet doors. Hinges to connect to cabinet not included within sets)

Planning - BF-06 Sliding Door

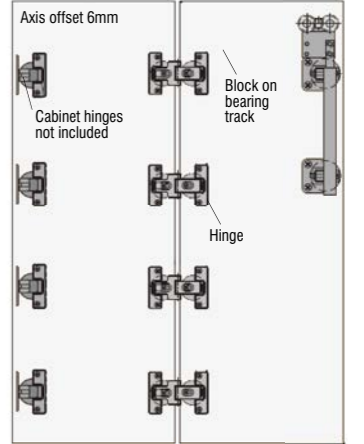
2 Door Set

2 Door Formula

- Total (2) Door width = cabinet width + (covering distance1 + covering distance2)
- Individual (1) Door width = Cabinet - (1* interval of door) + (covering distance1 + covering distance2)/2



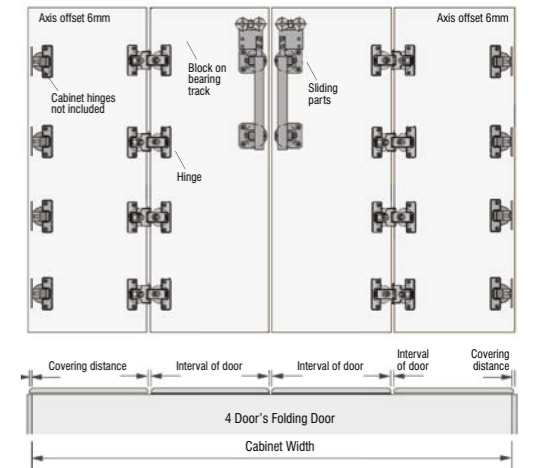
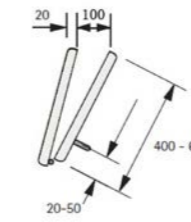
Right hand door set shown, view from back of doors



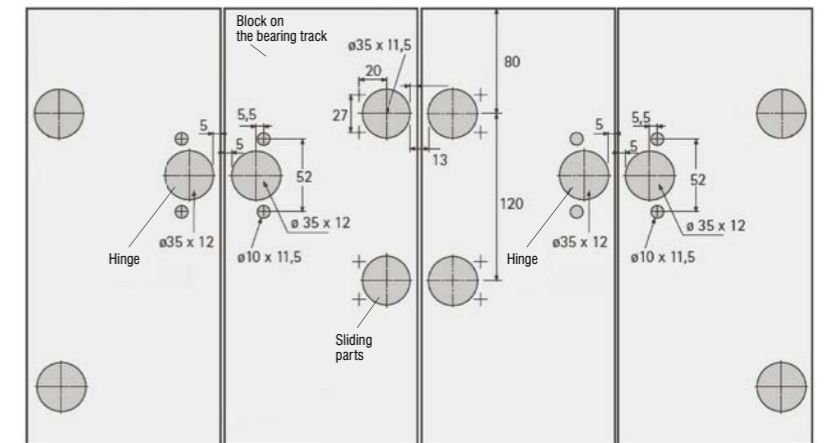
4 Door Set

4 Door Formula

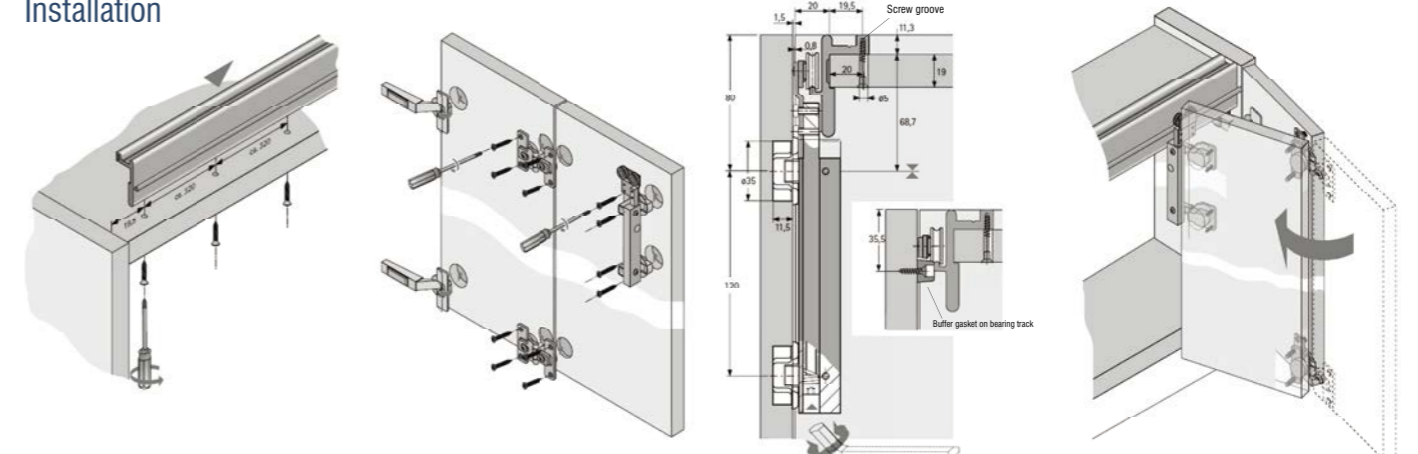
- Total (4) Door width = cabinet width + (2 * covering distance)
- Individual Door width = Cabinet - (1* interval of door) + (covering distance1 + covering distance2)/2



Drilling Dimensions



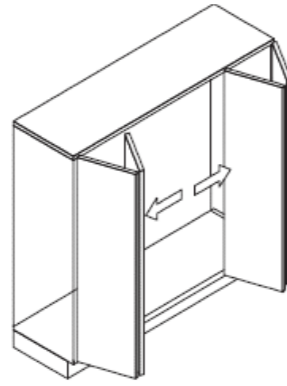
Installation



BF-05 Bi-Fold Door System

Features:

- Top & Bottom track
- 500mm MAX Door Leaf width
- 20Kg MAX Door Leaf weight
- 25mm MAX Door thickness
- 2200mm MAX Door height
- 2 Track options, Anodised or Powdercoated white aluminium
- Tool free door connection to track



BF-05 Door Kits Including Track

Kits suit 4 doors (1 x left & 1 x right with 1 x 2m track)

Description	Diagram
2 X Upper Roller (L&R), 2 x Bottom Roller (L&R)	
8 x Centre Hinges nylon with metal pin	
2 x Centre Hinge Template	
2m Aluminium Track	

Description	Code
Finista, BF-05 4 Door Kit (L&R set) with Top & Bottom Track 2m, Anodised Silver Aluminium Track	2-113-500
Finista, BF-05 4 Door Kit (L&R set) with Top & Bottom Track 2m, White Powdercoated Aluminium Track	2-113-505

(Selection based on standing in front of closed cabinet doors. Hinges to connect to cabinet not included within kits)

BF-05 Individual Sets and Components

Sets for 2 doors only include (left or right hand available)

Description	Diagram
1 X Upper Roller, 1 x Bottom Roller	
8 x Centre Hinges nylon with metal pin	
Centre Hinge Template	



Two Door Sets (track not included)	Code
Finista, BF-05 2 Door Set, Left Hand Set	2-113-50L
Finista, BF-05 2 Door Set, Right Hand Set	2-113-50R

(Selection based on standing in front of closed cabinet doors. Hinges to connect to cabinet not included within sets)

Track (two options, see right table)	
Description	Diagram
2m Aluminium Track	



Extra Centre Hinge Set (optional)	
Description	Diagram
Extra Centre Hinge Set - option to replace nylon centre hinges - includes 2 hinges	

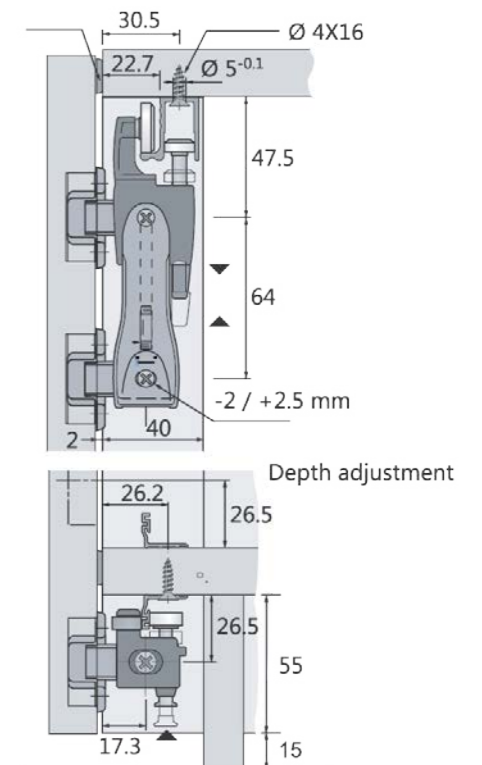
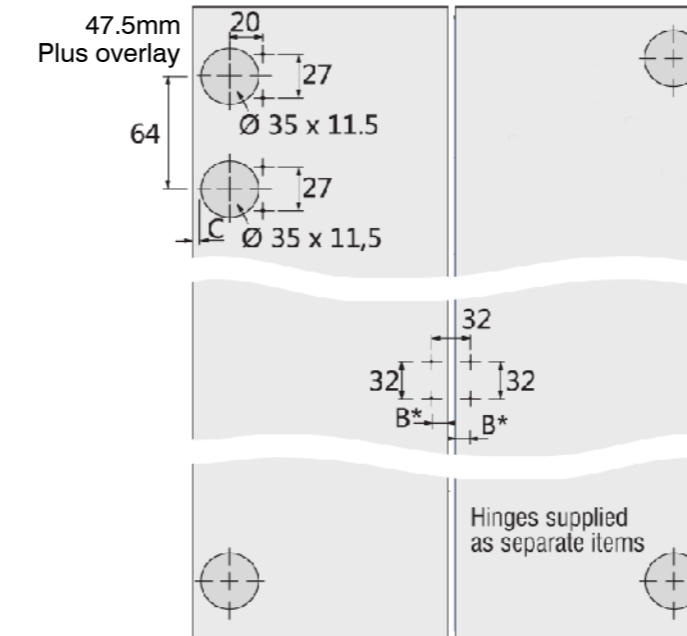
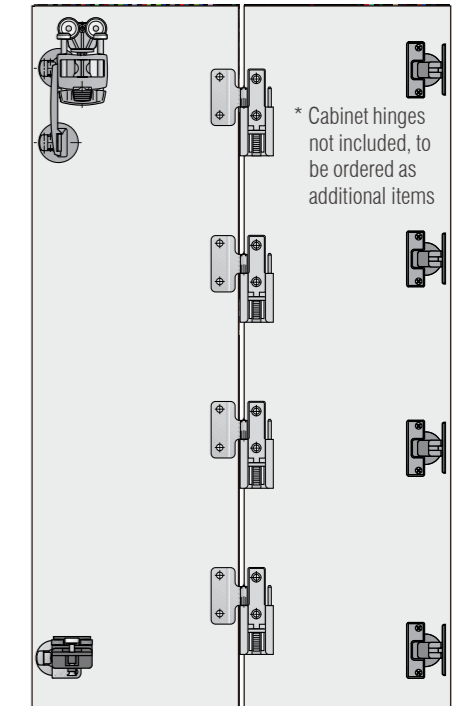
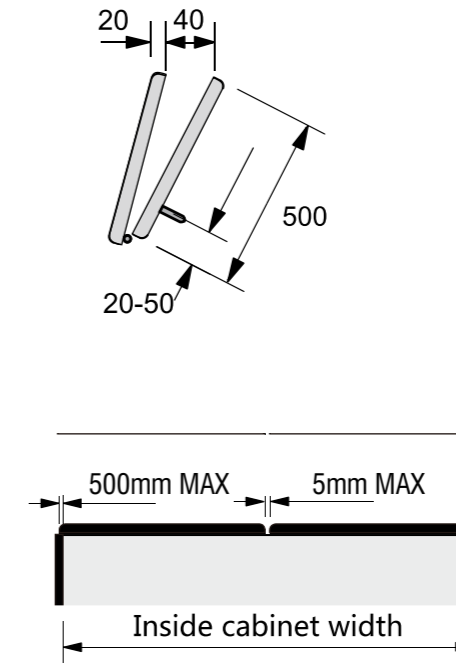


Components	Code
Finista, BF-05 Top & Bottom, Track 2m, Anodised Silver	2-113-501
Finista, BF-05 Top & Bottom, Track 2m, Powdercoated White	2-113-502
Finista, BF Centre Hinge, 2 Hinges per set	2-113-610

Planning - BF-05 Sliding Door

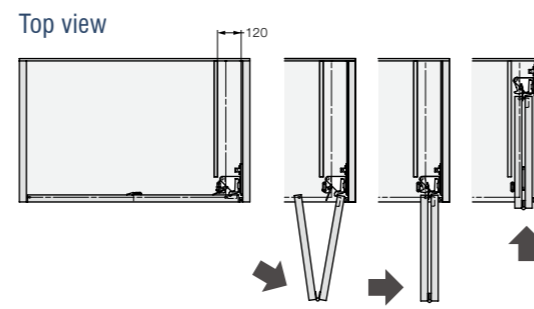
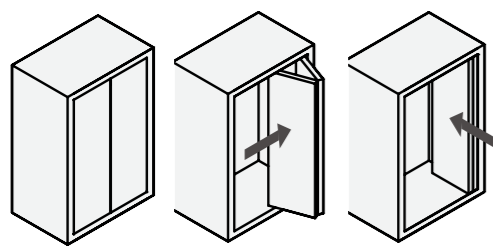
2 Door Formula

- Door width = inside cabinet width + (2 x overlay)
- Individual (1) Door width = Inside Cabinet - (1 x overlay) + (2 x overlay)/2
- Overlay (C): MAX 15mm





Folding door is stored inside the cabinet



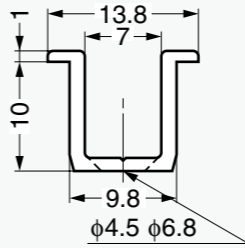
Door Width	Max. 450 mm
Door Height	Max. 1830 mm
Recommended door thickness due to door track requirements (15mm)	23 - 30 mm
Door Weight	Max. 10 kg/Door
Hinge Drilling	40mm diameter, 13mm depth

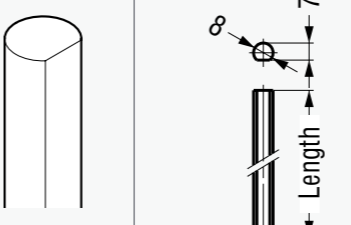
Type	Cabinet Depth	Kit Code
ALT-F18 (Left)	Min 466.7mm + Door thickness	2-010-200
ALT-F18 (Right)	Min 466.7mm + Door thickness	2-010-202
ALT-F20 (Left)	Min 517.5mm + Door thickness	2-010-204
ALT-F20 (Right)	Min 517.5mm + Door thickness	2-010-206

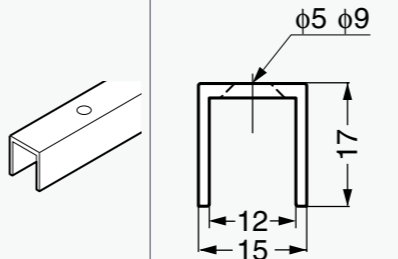
(Selection based on standing in front of closed cabinet doors)

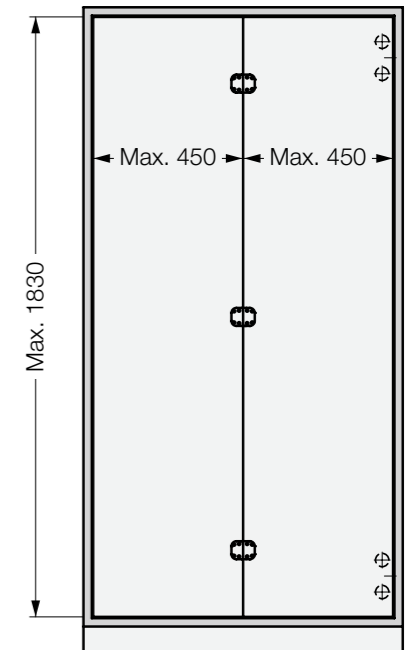
Installation

Items required to complete solution on adjacent page.
1 piece each is necessary for a pair of doors:

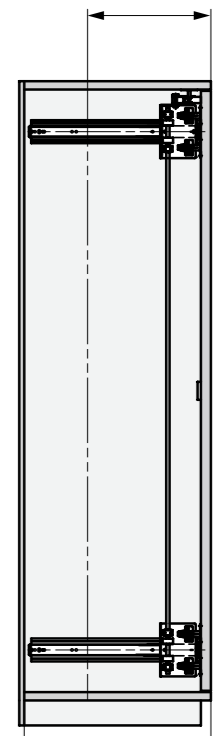
ALT-F Upper Track	Code
 <p>1820 mm Material: Aluminium Finish: Anodised Silver Bore Pitch: Approx 300mm Pitch End: Approx 30mm</p>	2-010-210

Shaft - One required per mechanism	Code
 <p>1816 ± 13 mm Material: Steel Finish: Black Chromate</p>	2-010-214

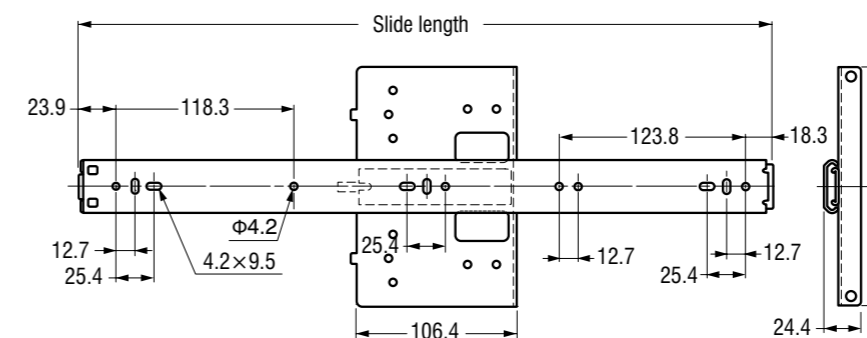
ALT-F Door Track	Code
 <p>1500 mm Material: Aluminium Finish: Anodised Silver</p>	2-010-212



Door storing
355.6 (ALT-F18)
406.4 (ALT-F20)



Rail Dimensions



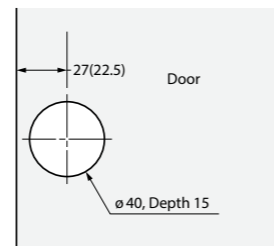
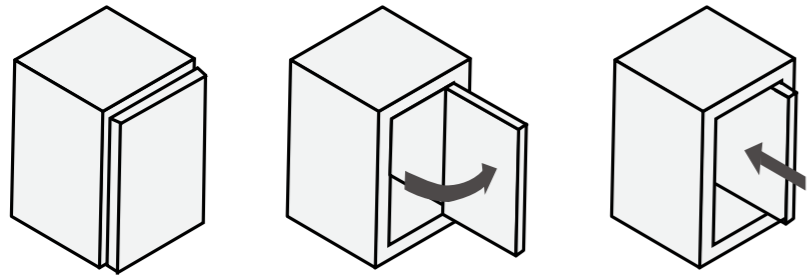
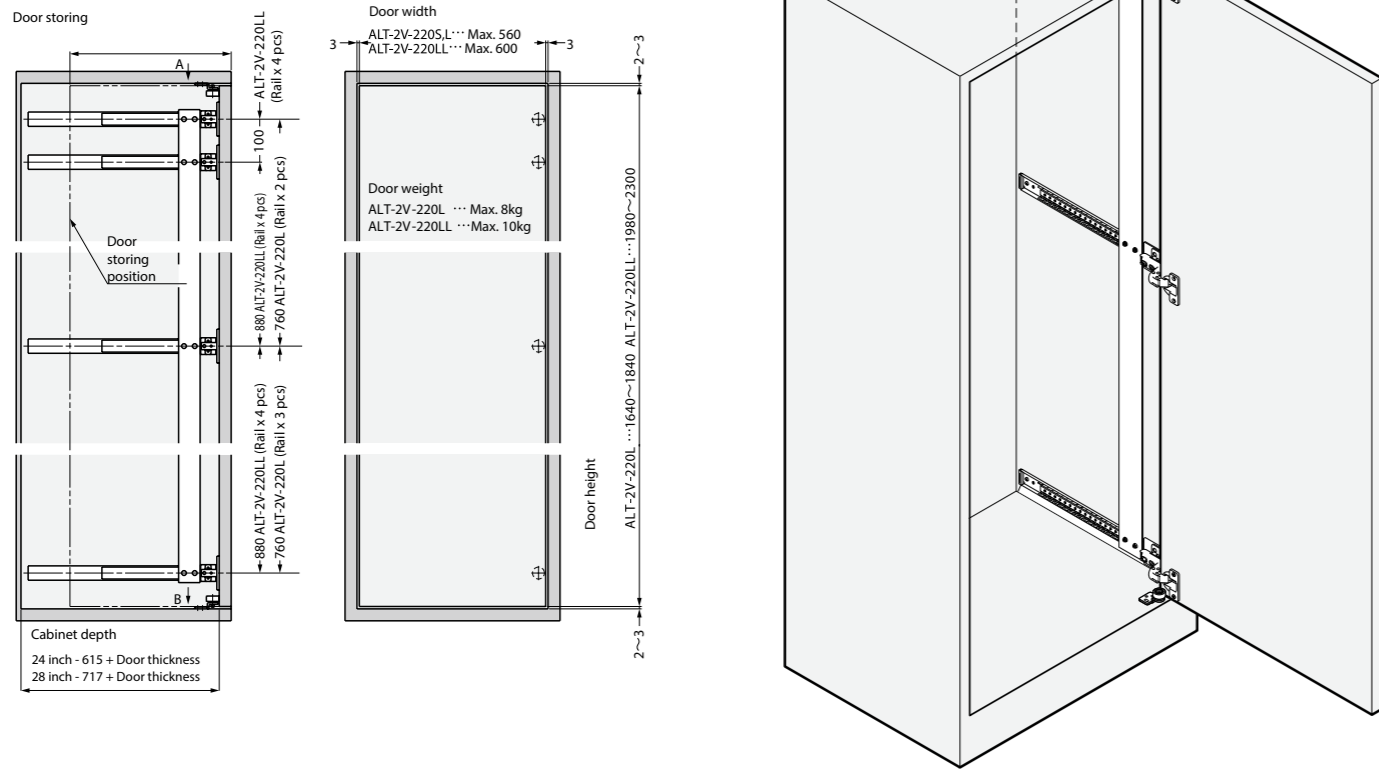
Item Name	Opening	Rail Length	Door Storing	Cabinet Depth
ALT-F18L	Left Opening	460.4	355.6	Min 466.7 + Door Thickness
ALT-F18R	Right Opening	460.4	355.6	Min 466.7 + Door Thickness
ALT-F20L	Left Opening	511.2	406.4	Min 517.5 + Door Thickness
ALT-F20R	Right Opening	511.2	406.4	Min 517.5 + Door Thickness

ALT-2V-220 - Pocket Door System (inset)



Features:

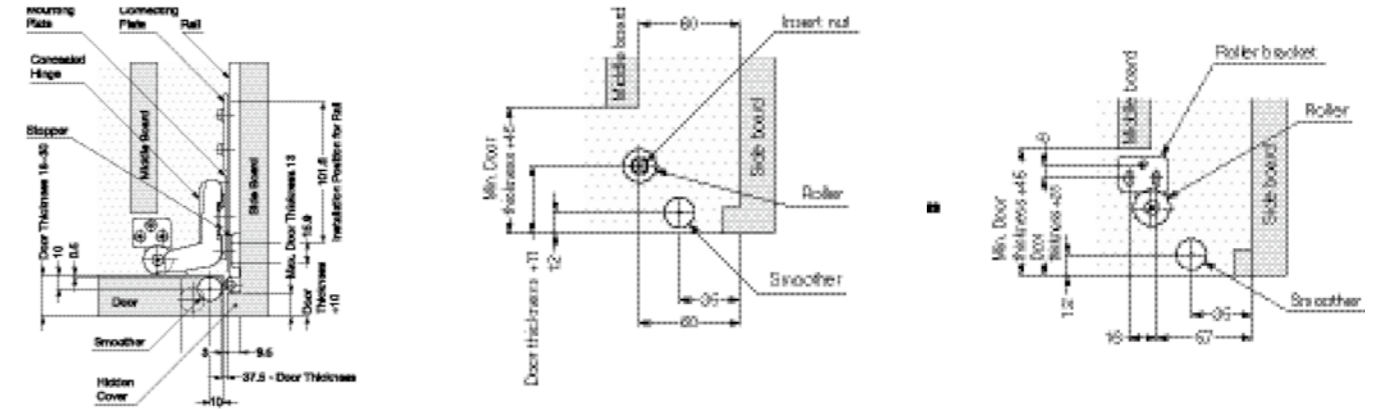
- Opening door is stored inside the cabinet
- One hand open/push motion to control mechanism
- Suits wooden doors only



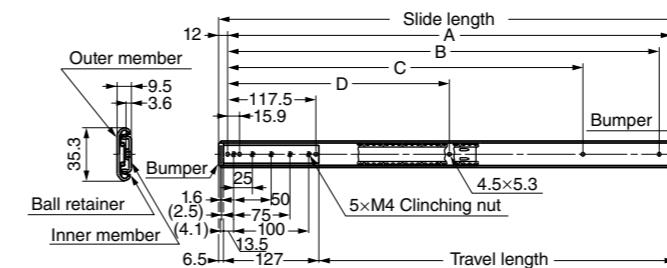
ALT-2V-220 - Pocket Door System (inset)



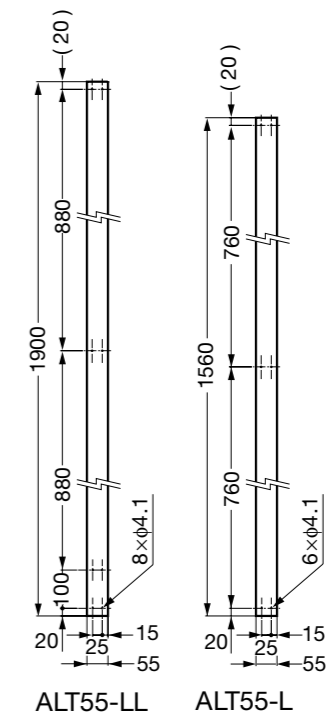
Rail Installation and Clearance Dimensions



Rail Dimensions



Connecting Plate Dimensions



Kits Include:				
Rail	Connecting Plate	Concealed Hinge (Body) with catch	Mounting Plate	Parts Set

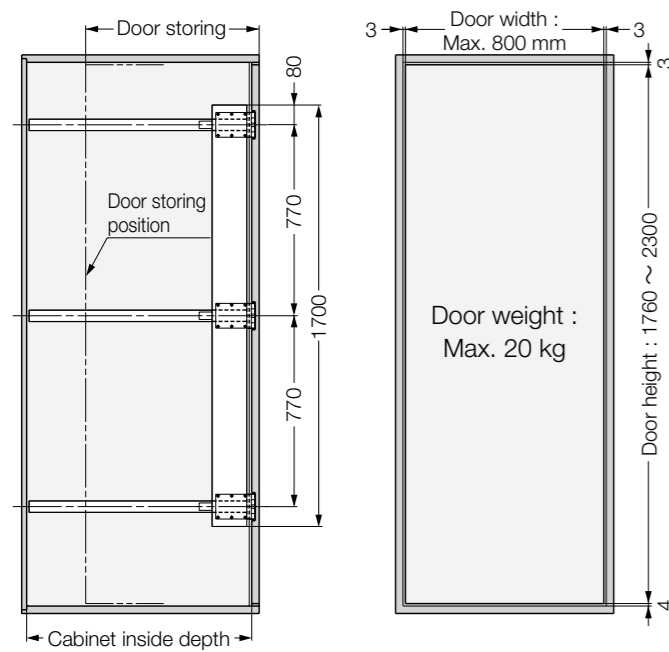
Type	Door Width	Door Height	Door Thickness	Door Weight	MIN Cabinet Depth	Kit Code
L Type (3 rails)	Max 560mm	1650 - 1840mm	Max 20mm	Max 8Kg	615mm + Door thickness	2-010-220
L Type (3 rails)	Max 560mm	1650 - 1840mm	Max 20mm	Max 8Kg	717mm + Door thickness	2-010-222
LL Type (4 rails)	Max 600mm	1990 - 2300mm	Max 20mm	Max 10Kg	615mm + Door thickness	2-010-224
LL Type (4 rails)	Max 600mm	1990 - 2300mm	Max 20mm	Max 10Kg	717mm + Door thickness	2-010-226

TSSL-2V - Pocket Door System (Inset)

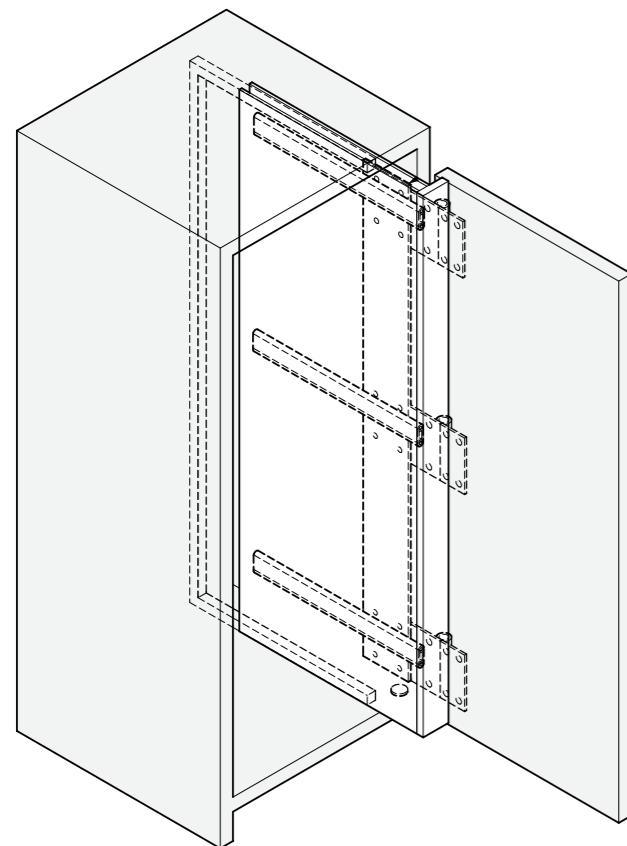
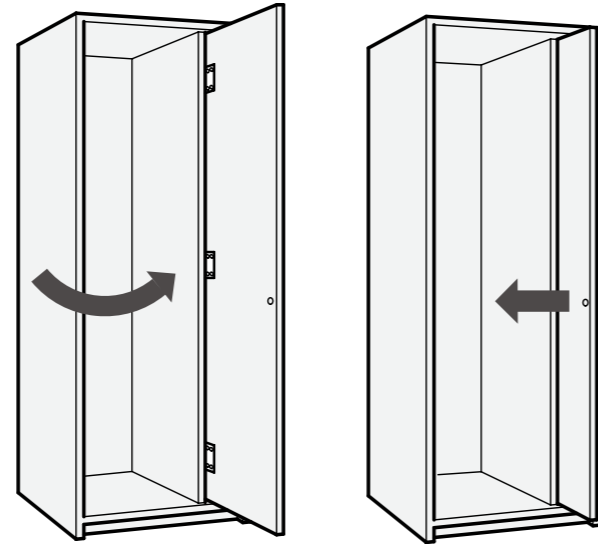


Features:

- Kit includes, Rails, Door Stoppers, Hinges, Bolts, Sliders and Connecting Plate
- Opening door is stored inside the cabinet
- 20Kg MAX door weight
- 16mm MIN door thickness



Door Width	Max 800 mm
Door Height	1760 - 2300
Door Weight	Max 20 kg / Door

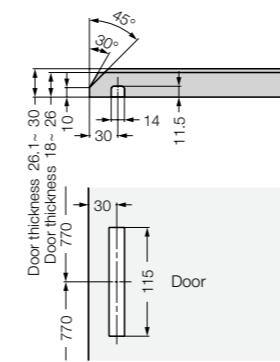


Type	Door Width	Door Height	Door Thickness	Door Weight	Cabinet Depth	Kit Code
TSSL-2V	Max 800mm	1760 - 2300mm	Min 16mm	Max 20kg	Min 820mm	2-010-805

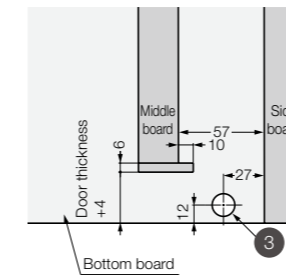
TSSL-2V - Pocket Door System (Inset)



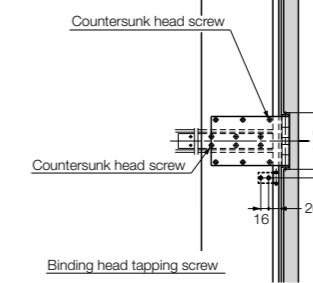
Cut Out Dimensions



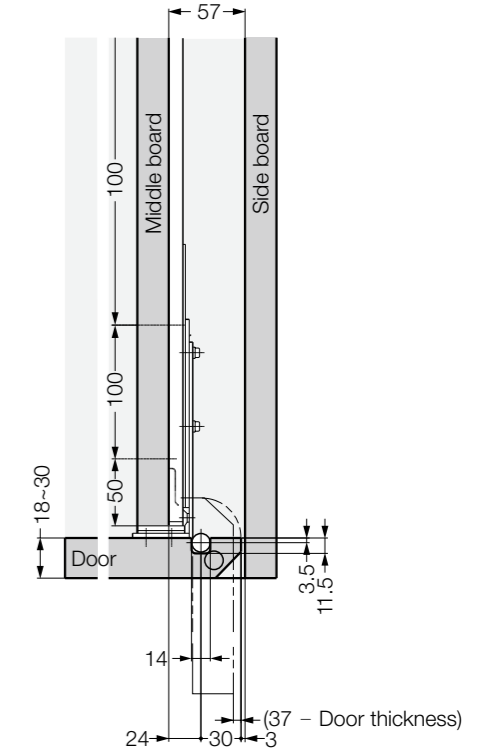
Cabinet




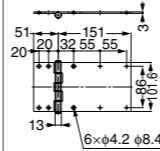

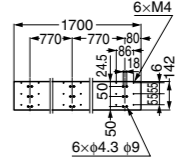
Side View (Wooden Door)




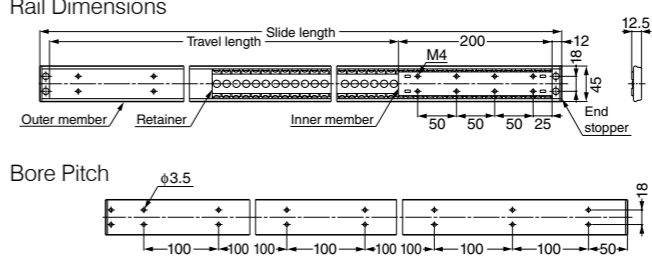
Top View



Parts Included: Dimensions of items included within Kit Code

Hinge x 3		Connecting Plate x 1	
			
Material: Steel Finish: White 3 pieces are necessary for 1 door.		Material: Steel Finish: Yellow Zinc Chromate 1 piece is necessary for 1 door.	

Rail x 3

Rail Dimensions		Slide Length: 800mm Material: SUS304 3 pieces are necessary for 1 door.
		

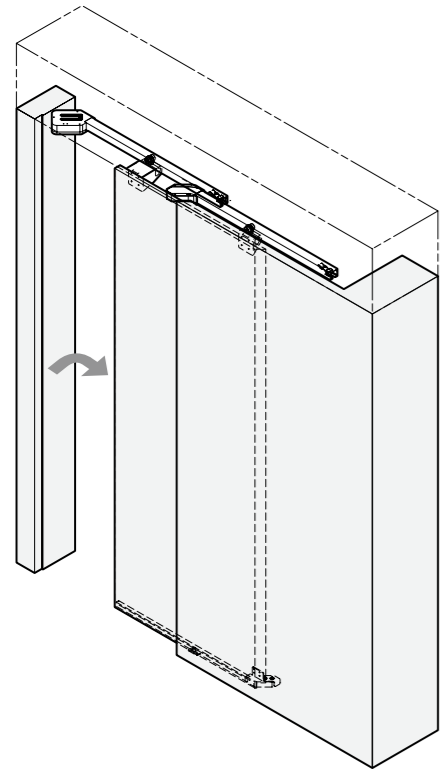
Item Name	Slide Length	Travel Length	Bore Qty N	Door Storage	Depth Inside Cabinet
TSSL-800SV	800	576	16	602.5 + Door Thickness	Min 820

MFU-1000 - Flush Sliding Door System



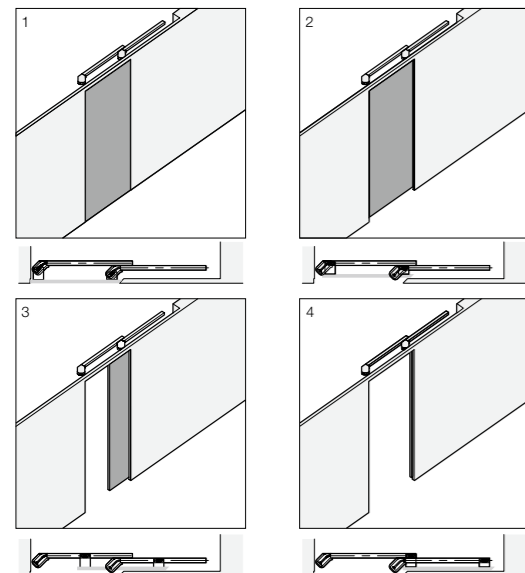
Features:

- Door will be "flush" against surrounding walls, providing a clean appearance
- Unique movement: Door moves in first and slides sideways
- No bottom rail required (on floor)
- All components in one box



How the door moves:

(Left hand door mechanism example)



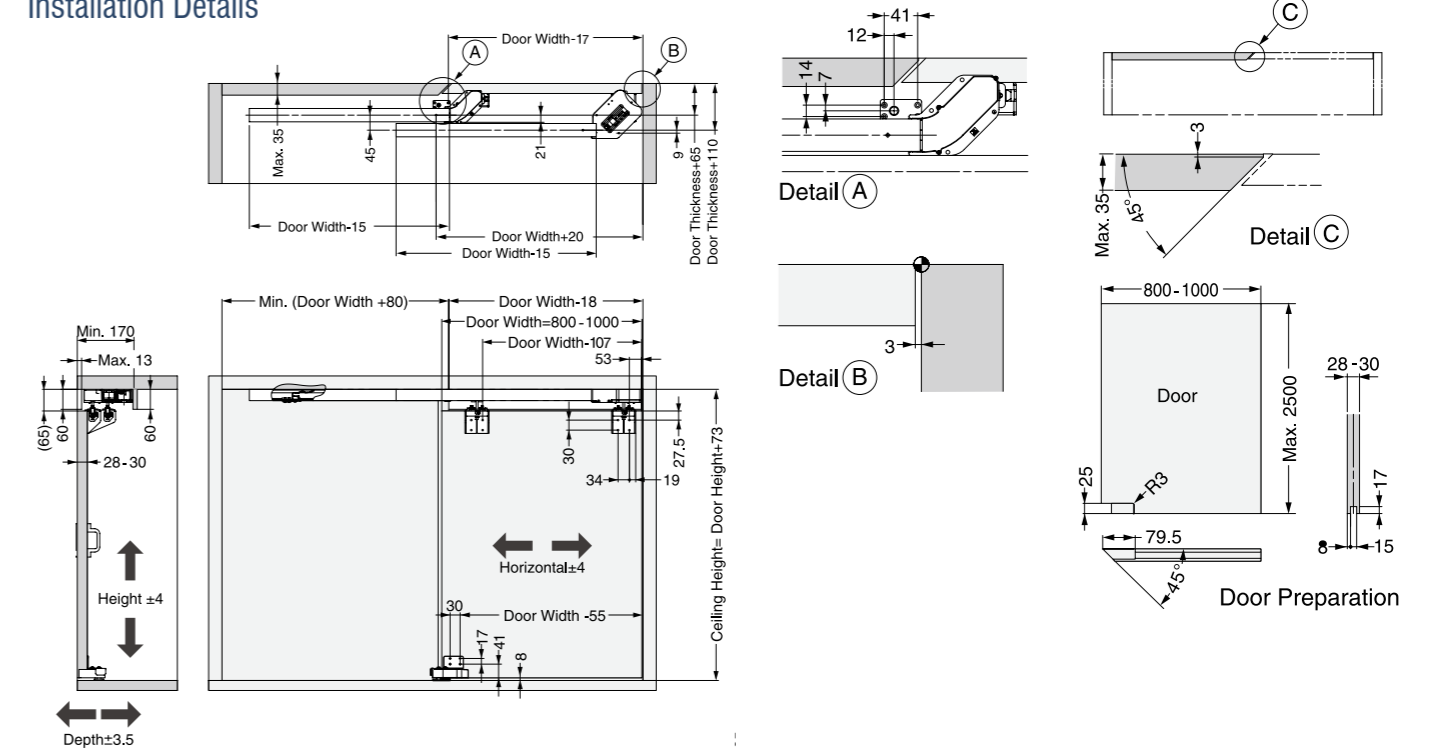
Description	Code
Left Hand Door Set	2-010-00L
Right Hand Door Set	2-010-00R

Door Width	800 - 1000 mm
Door Height	Max. 2500 mm
Door Thickness	*28 - 30 mm
Door Weight	Max. 30 kg
Adjustment	Depth: ± 3.5 mm
	Horizontal: ± 4 mm
	Vertical: ± 4 mm

MFU-1000 - Flush Sliding Door System



Installation Details



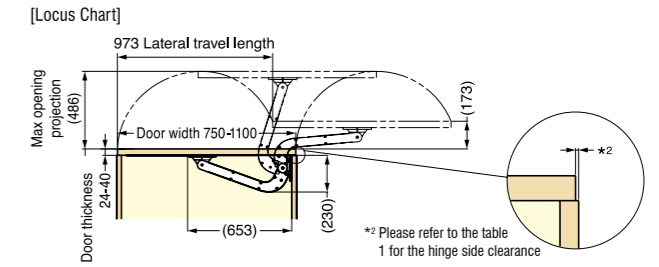
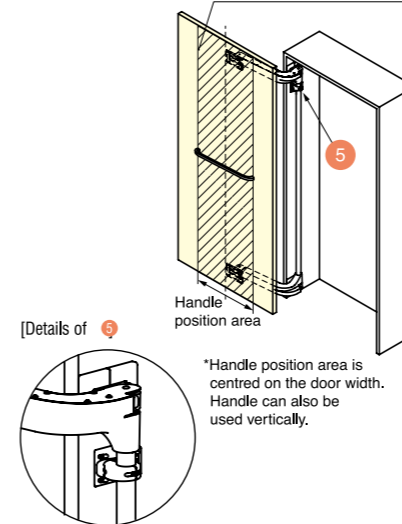
LIN-X1000 Flush Hinge to suit Heavy Doors



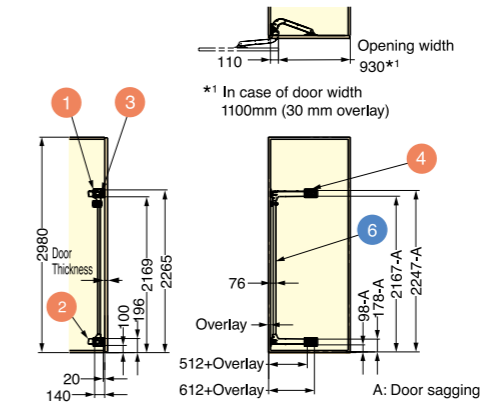
Table 1: Handle position area (for door thickness 40mm)

Door width	Hinge side clearance		
	10mm	15mm	20mm
750mm- 900mm	Max. 300mm	Max. 350mm	Max. 500mm
900mm-1000mm	Max. 200mm	Max. 250mm	Max. 400mm
1000mm-1100mm	Max. 100mm	Max. 150mm	Max. 300mm

Handle should be installed within the area shown in Table 1.



[Installation Example]



Please set door sagging A based on the following table so that the door will not contact the floor.

Door weight	A: Door sagging
20kg	2mm
30kg	3.5mm
40kg	5mm
50kg	6.5mm
60kg	8mm
70kg	9.5mm
80kg	11mm
90kg	12.5mm

• For carpeted floor, add the carpet thickness to the "door sagging" shown above.
• This product is vertically adjustable by ±7mm after installation. For adjustment method, please refer to the installation instruction.

Features:

- Flush with surrounding walls when closed
- Unique movement for a compact and extremely smooth opening of the door
- Available in black or white finishes
- Heavy duty door capacity = 90Kg
- Door opens and closes softly with adjustable damper

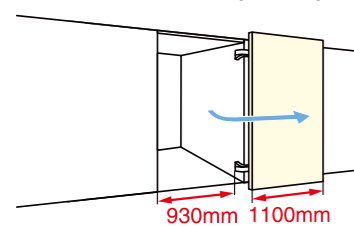
Door Width	750 - 1100mm
Door Height	2400*1 - 2980mm
Door Thickness	24 - 40mm
Door Weight	Max. 90Kg*2/Door *3
Overlay	19mm
Specification	Single Door (overlay)
Adjustment	Vertical + - 7mm
	Horizontal + - 7mm
	Depth + - 5mm
	Parallel + - 3°

LIN-X100 Kits, include both door set and connecting bar

Description	Code
LIN-X1000, White Door Kit	2-010-10W
LIN-X1000, Black Door Kit	2-010-10B

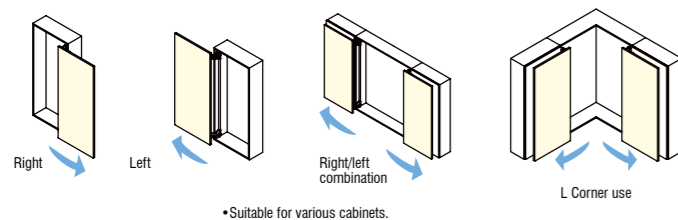
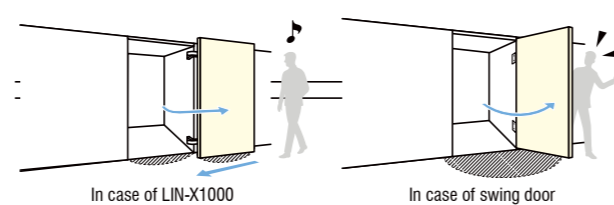
Max. door width 1100mm (effective opening width 930 mm)

Installed to side wall, not interfering with taking in/out of articles.

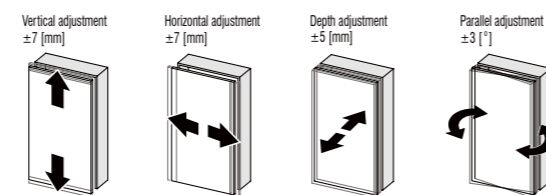


Door does not get in the way when opening and closing.

Opening projection is about half of swing door. Door will be flush with surrounding walls when closed.



• Suitable for various cabinets.



• Adjustable in vertical, horizontal, depth and parallel directions.

Laundry



Laundry Hampers

560 Laundry System

Features:

- Exclusive to Lincoln Sentry
- Made in Italy
- Ergonomically designed baskets
- Easy to lift out

TOP HUNG DRAWER PROGRAM

Used in conjunction with Blum drawer kits (drawer kits sold separately)

- The 560 Laundry System is the same concept as the 560 Waste Management System
- Designed to suit Blum TANDEMBOX antaro and TANDEMBOX intivo
- Metal frame with plastic sides

Nominal Length 500NL

Cabinet Width	Depth	Bucket Height	Bin Capacity	Code
450mm	473mm	510mm	1 x 50L basket	1-456-540
600mm	473mm	506mm	2 x 40L baskets	1-456-650

Description	Finish	Drawer Capacity	Code
TANDEMBOX, antaro	Silk White	30kg	1-243-015
		65kg	1-243-017
TANDEMBOX, intivo	Silk White	30kg	1-246-015
		65kg	1-246-017

450mm - To suit 500NL



Drawer kits sold separately.

600mm - To suit 500NL



Drawer kits sold separately.

Free Standing Laundry Pullout

Features:

- 1 x 40L basket
- The ideal solution for small spaces (minimum base 300mm)
- Equipped with special full extension slides

Width	Depth	Height	Code
255mm	450mm	537mm	1-456-350



Linea UP

Features:

- 1 bin – 50L capacity
- Laundry system designed for under-top installation, with full-extension slides
- Suitable for installation in a minimum carcass size of 500mm
- Product dimension mm: W448 x D352 x H529

Width	Depth	Height	Code
448mm	352mm	529mm	1-456-355



Linea BH

Features:

- Laundry basket for bottom hinged cabinet 50L capacity - tilt-out mechanism included, bottom hinges not included
- Product dimension mm: W400 x D307 x H504

Width	Depth	Height	Code
400mm	307mm	504mm	1-456-345



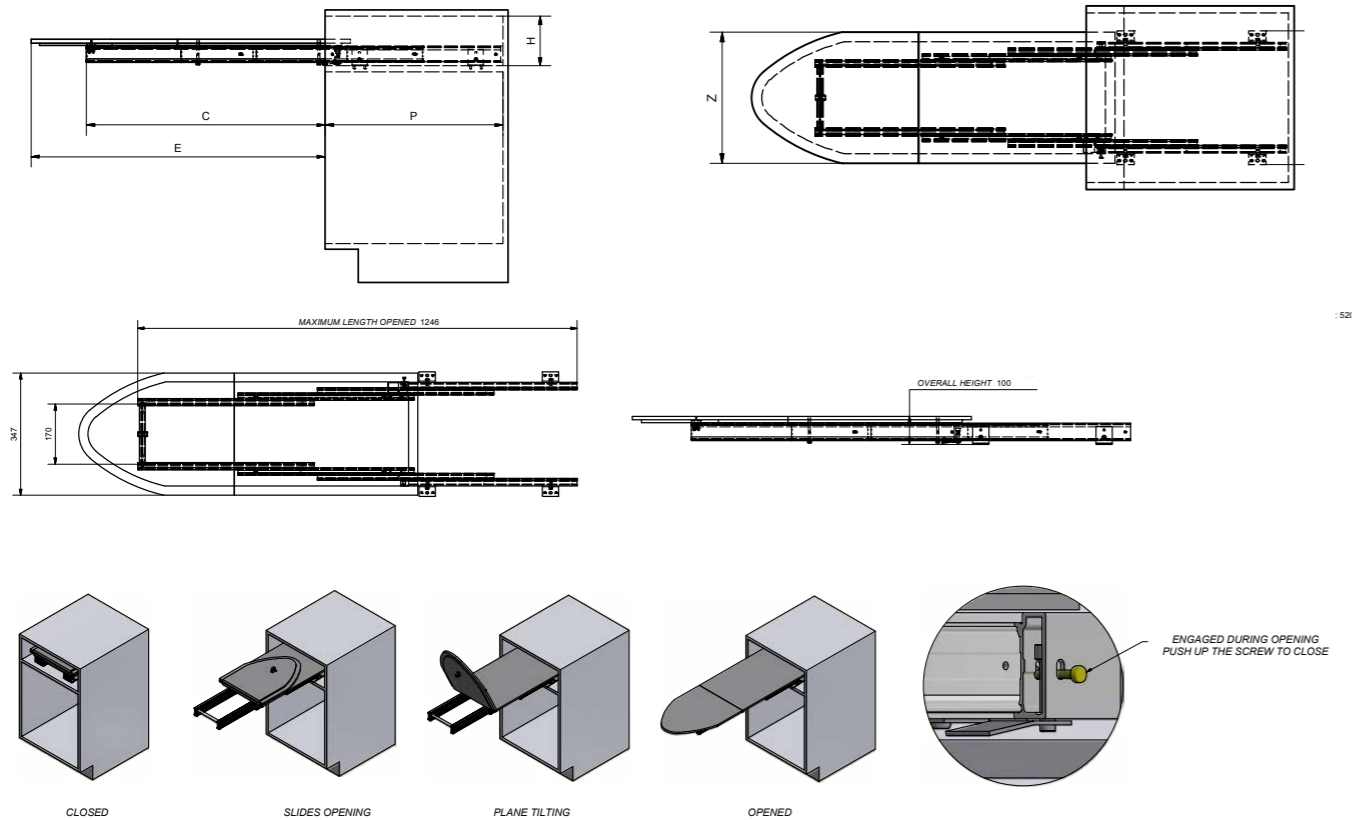
Ironing Boards



Prua Short Ironing Board

- Material:** Aluminium
Finish: Inox Bronze
Features: 80Kg Load Capacity (evenly distributed)
Function: Simple slide out table

Cabinet Dimensions		
Cabinet Location	Symbol	Dimension
Height	H	MIN 140mm
Cabinet depth	P	MIN 450mm
Top width	Z	350mm
Top opening	E	840mm
Mechanism opening	C	700mm



Description	Suits Cabinet	Code
Prua Short	MIN 360mm wide, 450mm depth	1-901-040

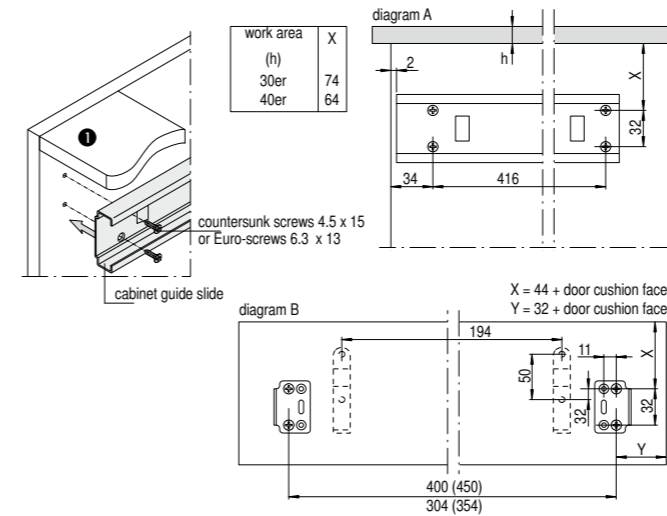
Ironing Boards



ADD Ironing Board



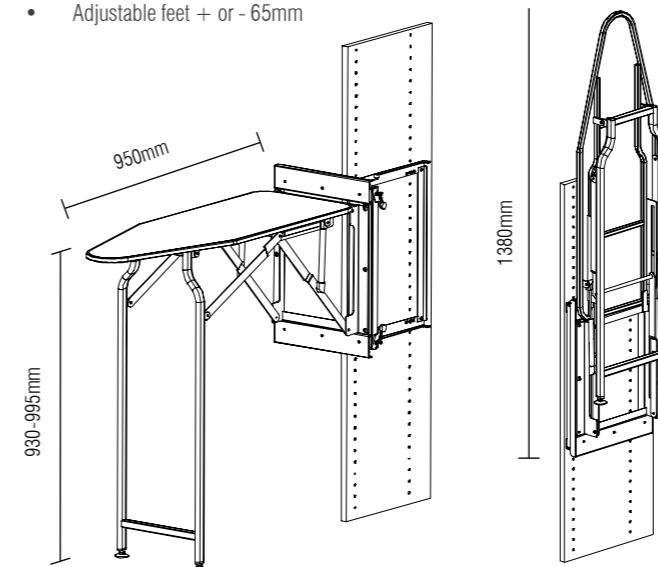
- Features:**
- Drawer pullout system
 - Conceals ironing board behind a drawer for easy access
 - Full extension slides
 - Cabinet requirements: external cabinet width: 400mm - 500mm, minimum internal cabinet depth: 510mm, minimum internal cabinet height: 120mm
 - Board size: 950mm x 300mm



External Cabinet Width	Finish	Code
ADD, Ironing Board	White	1-468-040
Ironing Board Cover - Replacement	White	1-467-033

Pullout Ironing Board

- Features:**
- Universal left or right hand installation
 - Chrome plated steel frame
 - Soft close runner
 - Min cabinet depth 400mm
 - Min cabinet width 200mm
 - Length when folded out 950mm
 - Adjustable feet + or - 65mm



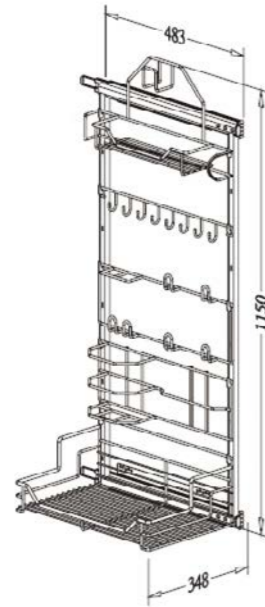
Width	Depth	Height	Code
140mm	340mm	1380mm	1-472-022



Vacuum Cleaner Storage Pullout Rack

Features:

- Universal left or right hand installation
- Chrome plated steel frame
- Soft close runner
- Load capacity 40kg
- Minimum cabinet depth 500mm
- Minimum cabinet width 400mm

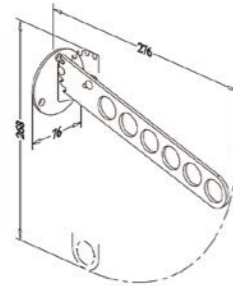


Width	Depth	Height	Code
348mm	483mm	1150mm	1-472-023

Laundry Valet

Features:

- Wall mount
- Chrome plated steel frame
- Adjustable height
- Holds six items

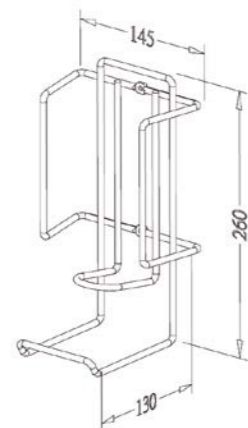


Length	Depth	Height	Code
276mm	76mm	268mm	1-472-021

Iron Holder

Features:

- Wall mount
- Chrome plated steel frame



Width	Depth	Height	Code
145mm	130mm	260mm	1-472-020

Personalise your laundry with DecoSplash

Available in
Satin or Gloss
finishes

DecoSplash is a solid metal (2mm aluminium) splash back which is coated with a durable polyurethane powder coating and then decorated either in one of the eye-catching designs from the catalogue range, or with a custom image – the options are endless.

For more information, visit www.lincolnsentry.com.au
or contact our National Customer Service Centre on 1300 551 919

Don't forget the Laundry sink and tapware

Check out our great range of sinks and tapware!

Laundry Vents

Aluminium Multi-Purpose Vent



Cutting Size (L x W)	Overall Size (L x W)	Finish	Code
278mm x 65mm	300mm x 80mm	Anodised Aluminium	1-477-900

Cupboard Vent - Round

- Plastic



Cutting Size	Overall Size	Finish	Code
Ø 28mm	Ø 40mm	White	1-477-912
Ø 28mm	Ø 40mm	Black	1-477-909

Medium Cupboard Vent - Rectangular

- Plastic
- Simple Installation - Screws into place



Cutting Size (L x W)	Overall Size (L x W)	Finish	Code
135mm x 55mm	165mm x 85mm	White	1-477-914

Large Cupboard Vent - Rectangular

- Plastic
- Simple Installation - Snap Fixing



Cutting Size (L x W)	Overall Size (L x W)	Finish	Code
222mm x 114mm	245mm x 145mm	White	1-477-919

Bathroom



Shower Hinges

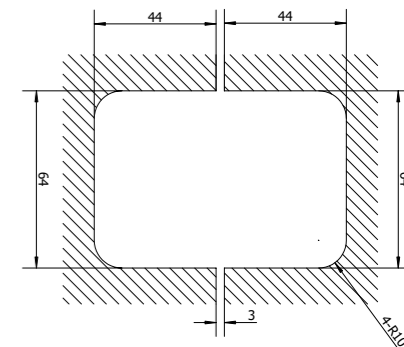
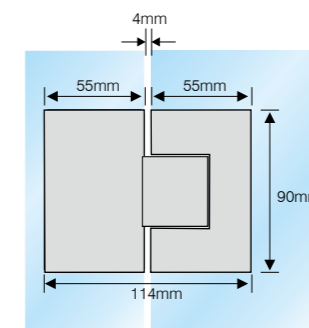
Glass to Glass 180° Hinge

Features:

- Suitable for 10mm glass (adaptable to other thicknesses)
- Two hinge: max weight 35kg, max door width 700mm
- Three hinge: max weight 54kg, max door width 800mm
- Self-closing function from approximately 30° of closed position



GLASS PREPARATION



Finish	Code
Polished Chrome	3-226-101
Matt Black	3-226-106

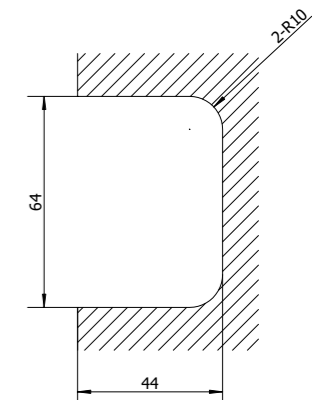
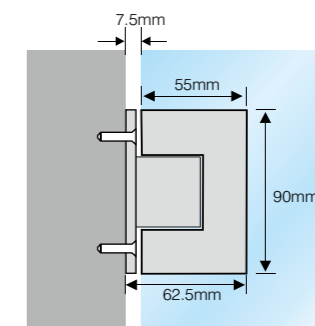
Glass to Wall 90° T Shape Hinge

Features:

- Suitable for 10mm glass (adaptable to other thicknesses)
- Two hinge: max weight 35kg, max door width 700mm
- Three hinge: max weight 54kg, max door width 800mm
- Self-closing function from approximately 30° of closed position



GLASS PREPARATION



Finish	Code
Polished Chrome	3-226-141
Matt Black	3-226-146

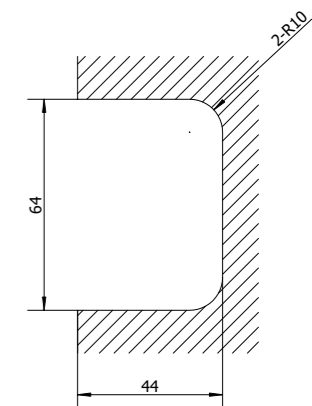
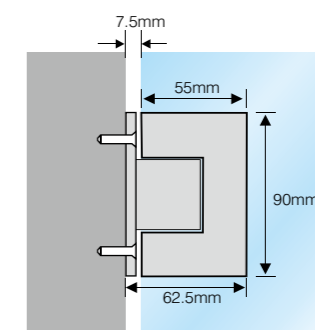
Glass to Wall 90° L Shape Hinge

Features:

- Suitable for 10mm glass (adaptable to other thicknesses)
- Two hinge: max weight 35kg, max door width 700mm
- Three hinge: max weight 54kg, max door width 800mm
- Self-closing function from approximately 30° of closed position



GLASS PREPARATION



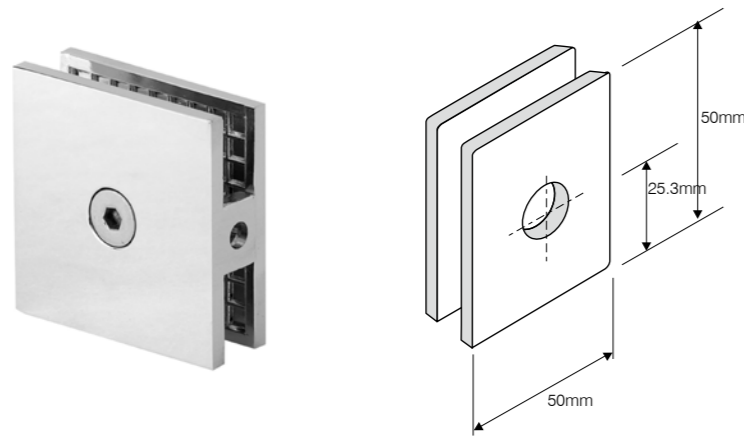
Finish	Code
Polished Chrome	3-226-131

Shower Brackets

Glass to Wall 90° H Shape Bracket

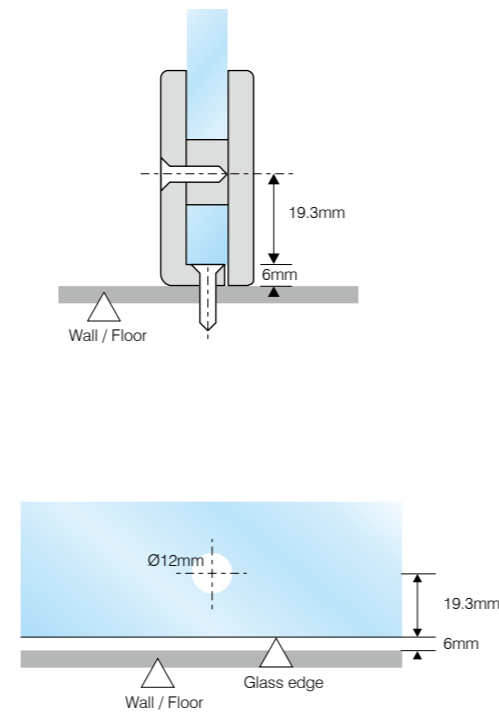
Features:

- Suitable for 10mm glass (adaptable to other thicknesses)
- For use to fix bathroom glass panels to wall/floor
- Drilling hole in glass \varnothing 12mm
- Includes PVC gaskets, plastic isolation grommet, mounting screw and allen key



Finish	Code
Polished Chrome	3-226-301

GLASS PREPARATION

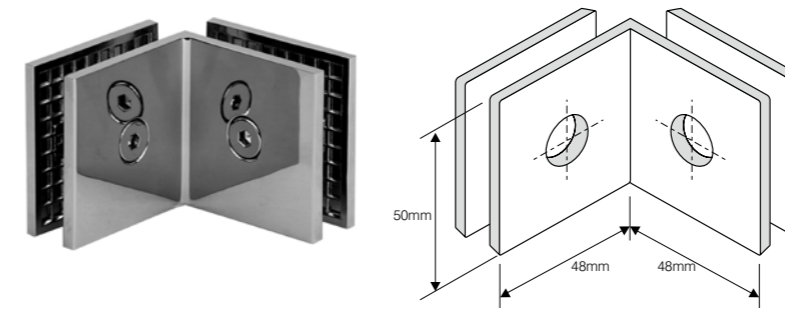


Shower Brackets

Glass to Glass 90° Bracket

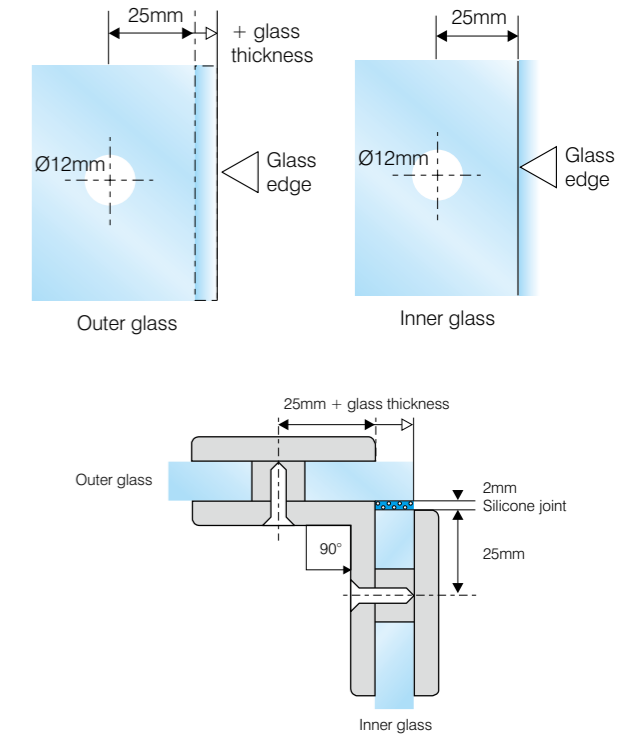
Features:

- Suitable for 10mm glass (adaptable to other thicknesses)
- For use to fix bathroom glass panels to wall/floor
- Drilling hole in glass \varnothing 12mm



Finish	Code
Polished Chrome	3-226-321

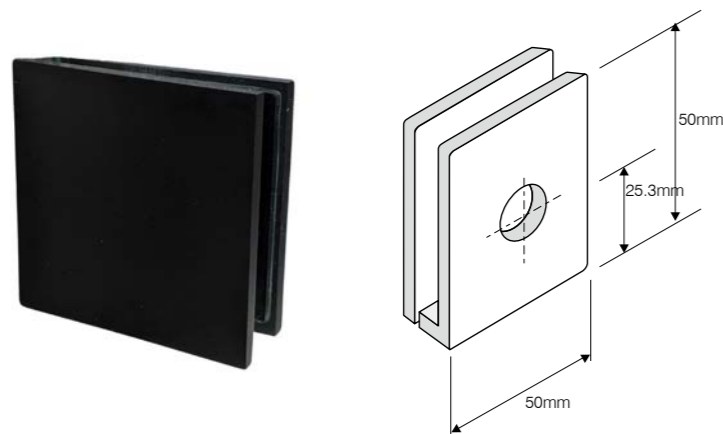
GLASS PREPARATION



Glass to Wall 90° U Shape Bracket

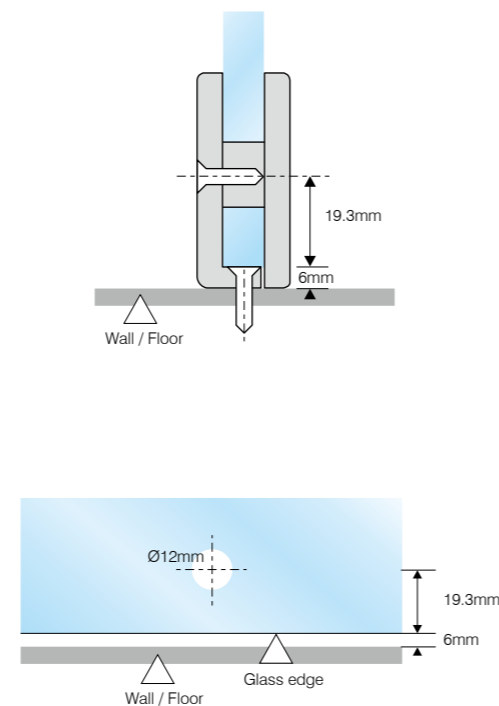
Features:

- Suitable for 10mm glass (adaptable to other thicknesses)
- For use to fix bathroom glass panels to wall/floor
- Drilling hole in glass \varnothing 12mm



Finish	Code
Polished Chrome	3-226-311
Matt Black	3-226-316

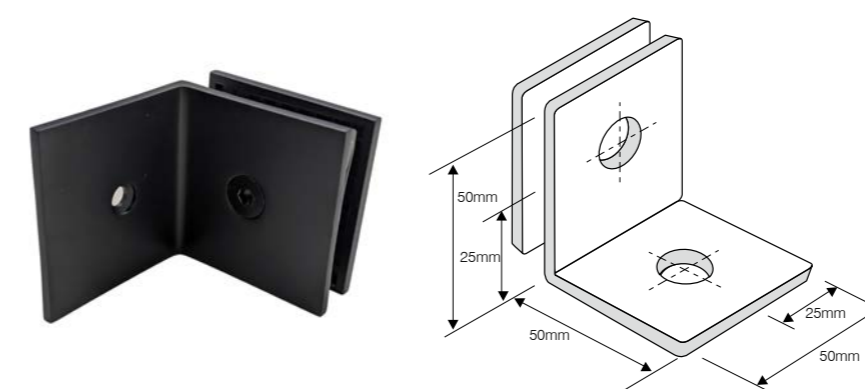
GLASS PREPARATION



Glass to Wall 90° Bracket

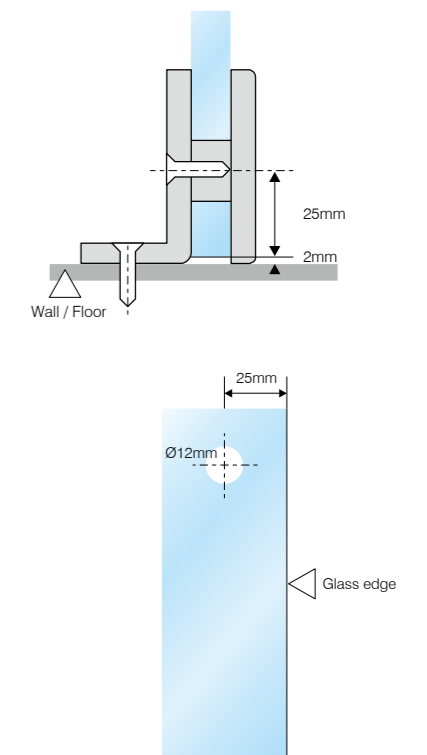
Features:

- Suitable for 10mm glass (adaptable to other thicknesses)
- For use to fix bathroom glass panels to wall/floor
- Drilling hole in glass \varnothing 12mm



Finish	Code
Polished Chrome	3-226-331
Matt Black	3-226-336

GLASS PREPARATION

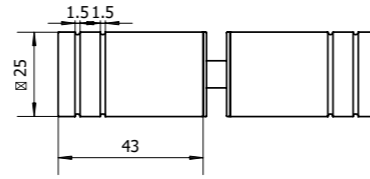


Shower Knobs

Double Pull Cylinder Knob

Features:

- For use on glass shower doors and glass sliding doors
- Suitable for 10mm glass (adaptable to other thicknesses)
- Round back to back door knob with rings
- Drilling hole in glass \varnothing 12mm

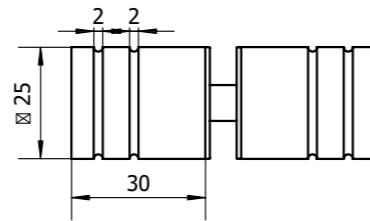


Finish	Code
Polished Chrome	3-226-511
Matt Black	3-226-516

Double Pull Cylinder Knob

Features:

- For use on glass shower doors and glass sliding doors
- Suitable for 10mm glass (adaptable to other thicknesses)
- Round back to back door knob with rings
- Drilling hole in glass \varnothing 12mm

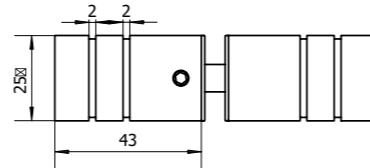


Finish	Code
Polished Chrome	3-226-501

Double Pull Square Knob

Features:

- For use on glass shower doors and glass sliding doors
- Suitable for 10mm glass (adaptable to other thicknesses)
- Square back to back door knob with rings
- Drilling hole in glass \varnothing 12mm

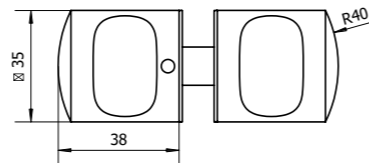


Finish	Code
Polished Chrome	3-226-531
Matt Black	3-226-536

Double Pull Concave Knob

Features:

- For use on glass shower doors and glass sliding doors
- Suitable for 10mm glass (adaptable to other thicknesses)
- Round back to back door knob with rings
- Drilling hole in glass \varnothing 12mm



Finish	Code
Polished Chrome	3-226-541



Frameless Shower Screen Hardware

Frameless shower screens are the key ingredient in creating a fresh and modern look in a bathroom. Not only are they easy to maintain, they also maximise the amount of space and light in a room, improving the overall aesthetics. Complement your frameless shower screen with our newest range of shower hardware.

For more information, visit www.lincolnsentry.com.au or contact our National Customer Service Centre on 1300 551 919

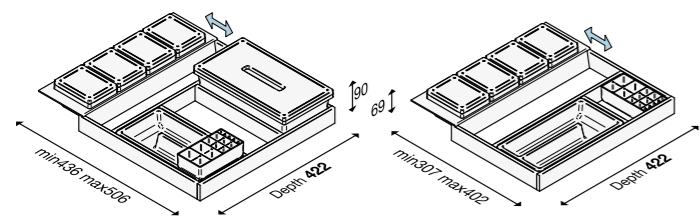
Onda Drawer Organisation

Gollinucci
DESIGNED FOR EVERY DAY

Solutions for the bathroom and wardrobe, available in a white or grey matte finish



To Suit Drawer Depth 450mm



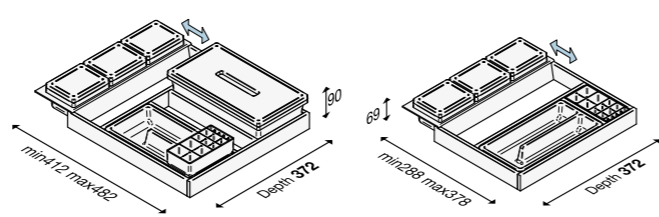
To suit Drawer Depth 450mm
4 x small boxes with lids,
1 x tissue box, 1 x small tray,
1 x cosmetics holder

To suit Drawer Depth 450mm
4 x small boxes with lids,
1 x small tray,
1 x cosmetics holder

Colour	Code
White	1-652-216
Grey	1-652-240

Colour	Code
White	1-652-218
Grey	1-652-242

To Suit Drawer Depth 400mm



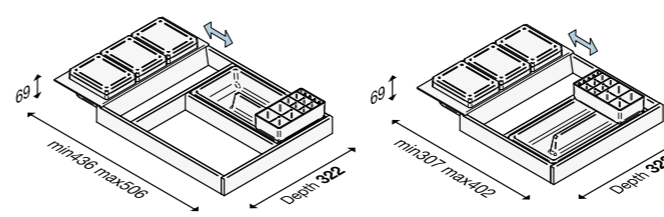
To suit Drawer Depth 400mm
3 x small boxes with lids,
1 x tissue box, 1 x small tray,
1 x cosmetics holder

To suit Drawer Depth 400mm
3 x small boxes with lids,
1 x small tray,
1 x cosmetics holder

Colour	Code
White	1-652-220
Grey	1-652-244

Colour	Code
White	1-652-222
Grey	1-652-246

To Suit Drawer Depth 350mm



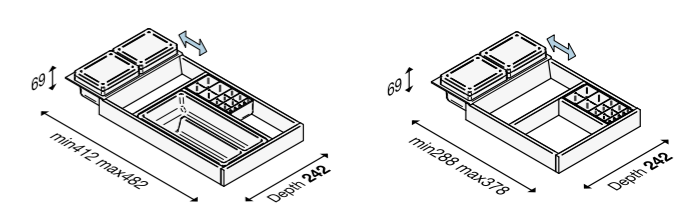
To suit Drawer Depth 350mm
3 x small boxes with lids,
1 x tissue box, 1 x small tray,
1 x cosmetics holder

To suit Drawer Depth 350mm
3 x small boxes with lids,
1 x small tray,
1 x cosmetics holder

Colour	Code
White	1-652-224
Grey	1-652-248

Colour	Code
White	1-652-226
Grey	1-652-250

To Suit Drawer Depth 270mm



To suit Drawer Depth 270mm
2 x small boxes with lids,
1 x small tray,
1 x cosmetics holder

To suit Drawer Depth 270mm
2 x small boxes with lids,
1 x cosmetics holder

Colour	Code
White	1-652-228
Grey	1-652-252

Colour	Code
White	1-652-230
Grey	1-652-254

Vanity Bin with Swivel Lid

Features:

- 5L capacity
- Easy to install
- Includes aluminium door mounting bracket



Dimensions mm	Colour	Code
Width: 174, Depth: 176, Height: 229	Grey	1-652-208
	White	1-652-210

Vanity Bin with Manual Lid

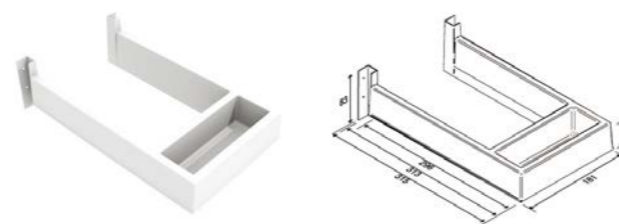
Features:

- 5L capacity
- Easy to install
- Includes aluminium door mounting bracket



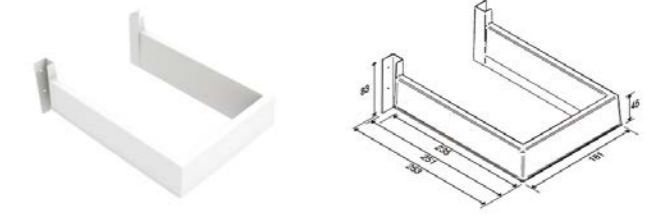
Dimensions mm	Colour	Code
Width: 170, Depth: 174, Height: 202	Grey	1-652-212
	White	1-652-214

Undersink Insert with Storage Tray



Desc	Code
White	1-652-202
Grey	1-652-200

Undersink Insert



Desc	Code
White	1-652-206
Grey	1-652-204



National Customer Service:
Ph: 1300 551 919
Fax: 1300 739 656

www.lincolnsentry.com.au

