



# Cabinet Accessories

> Bringing design and functionality together





When space is at a premium, storage and functionality are vital. Lincoln Sentry is excited to offer a range of quality designed and manufactured cabinet accessories that not only provide the most functional storage solutions, but bring a high level of design and sophistication to your space.

# Contents

## Waste

|  |    |
|--|----|
| 571 Waste Management .....             | 5  |
| 560 Waste Management .....             | 6  |
| Stand In Drawer Waste Management ..... | 9  |
| Envi Space Waste Management .....      | 10 |
| Free Standing Waste Management .....   | 12 |



## ATIM

|                  |    |
|------------------|----|
| Lunch .....      | 15 |
| Opla Top .....   | 16 |
| Opla .....       | 17 |
| Party .....      | 18 |
| Homework .....   | 19 |
| Breakfast .....  | 20 |
| Prua Short ..... | 21 |



## Cutlery Trays & Spice Racks

|                                   |    |
|-----------------------------------|----|
| Linea Classica .....              | 23 |
| Linea Combi .....                 | 24 |
| Cutlery Trays & Spice Racks ..... | 26 |
| Non-Slip Drawer Liner .....       | 29 |



## Finista Wireware

|                              |    |
|------------------------------|----|
| Pull-Out Pantry .....        | 31 |
| Blind-Corner Solutions ..... | 32 |
| Corner Solutions .....       | 33 |
| Cabinet Caddys .....         | 34 |



## Accessories

|                           |    |
|---------------------------|----|
| Wine Bottle Storage ..... | 37 |
| Tea Towel Rails .....     | 40 |
| Sous Chef .....           | 41 |
| Finista Float .....       | 42 |



# Waste Management Solutions



# 571 Waste Management System

Made to suit LEGRABOX by Blum

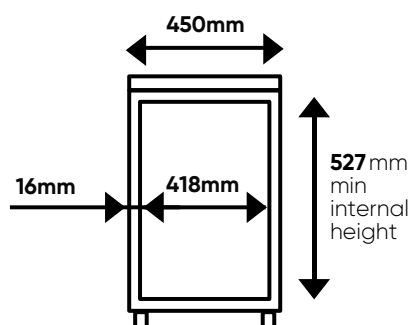
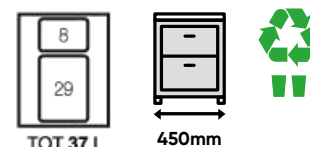
Made in Italy by Gollinucci, the 571 waste management system has been designed to complement the sophisticated, simple and slim design of the LEGRABOX drawer system from Blum. The 571 system is easy to assemble and comes in a range of colours to complement the LEGRABOX program.

The 571 system has been designed to support LEGRABOX C height drawers allowing the additional benefit of tilt adjustment, great for ensuring accurate gaps between cabinet and bench top when accommodating larger fronts.

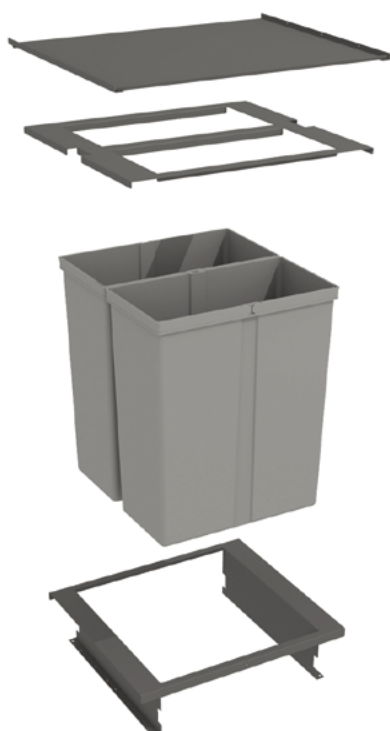
This ergonomical and modern design is available in two sizes for the cabinet width – 450mm and 600mm. The system comes complete with a lightweight aluminium cover and an internal metal lid to cover the system when closed.



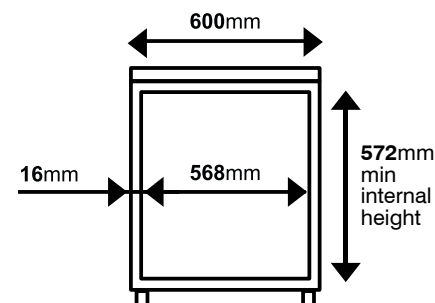
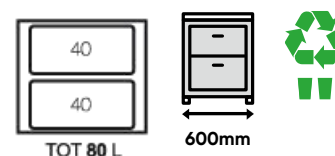
## 450 MM CARCASS - TO SUIT 500 NL



| Description                           | Code      |
|---------------------------------------|-----------|
| Bin, Cover & Lid, 500NL 450CW - WHITE | 1-457-451 |
| Bin, Cover & Lid, 500NL 450CW - GREY  | 1-457-452 |
| Bin, Cover & Lid, 500NL 450CW - BLACK | 1-457-453 |



## 600 MM CARCASS - TO SUIT 500 NL



| Description                           | Code      |
|---------------------------------------|-----------|
| Bin, Cover & Lid, 500NL 600CW - WHITE | 1-457-601 |
| Bin, Cover & Lid, 500NL 600CW - GREY  | 1-457-602 |
| Bin, Cover & Lid, 500NL 600CW - BLACK | 1-457-603 |

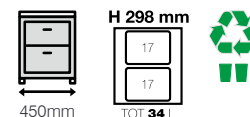
## Drawer not included with 560 waste codes

Please select from the **TANDEMBOX 'M'** height drawer kits

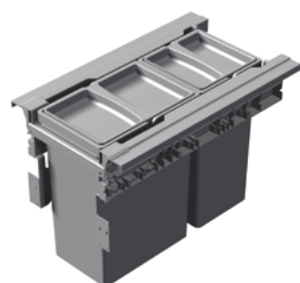
| TANDEMBOX Program | Finish      | Drawer Capacity | Code             |
|-------------------|-------------|-----------------|------------------|
| intivo            | Silk White  | 30kg            | <b>1-246-015</b> |
|                   | Silk White  | 65kg            | <b>1-246-017</b> |
|                   | Terra Black | 30kg            | <b>1-247-015</b> |
|                   | Terra Black | 65kg            | <b>1-247-017</b> |



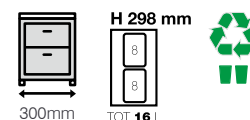
### 450 MM CARCASS - TO SUIT 500 NL



| Description    | Bucket Height | Drawer Nominal Length | Code             |
|----------------|---------------|-----------------------|------------------|
| With Metal Lid | 298mm         | 500mm                 | <b>1-456-455</b> |
| No Metal Lid   | 298mm         | 500mm                 | <b>1-456-145</b> |



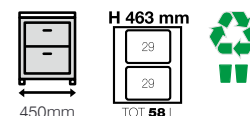
### 300 MM CARCASS - TO SUIT 500 NL



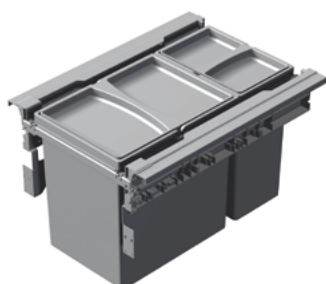
| Description    | Bucket Height | Drawer Nominal Length | Code             |
|----------------|---------------|-----------------------|------------------|
| With Metal Lid | 298mm         | 500mm                 | <b>1-456-305</b> |
| No Metal Lid   | 298mm         | 500mm                 | <b>1-456-135</b> |



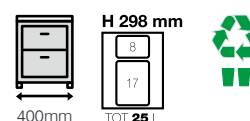
### 450 MM CARCASS - TO SUIT 500 NL



| Description    | Bucket Height | Drawer Nominal Length | Code             |
|----------------|---------------|-----------------------|------------------|
| With Metal Lid | 463mm         | 500mm                 | <b>1-456-457</b> |
| No Metal Lid   | 463mm         | 500mm                 | <b>1-456-147</b> |



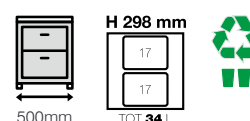
### 400 MM CARCASS - TO SUIT 500 NL



| Description    | Bucket Height | Drawer Nominal Length | Code             |
|----------------|---------------|-----------------------|------------------|
| With Metal Lid | 298mm         | 500mm                 | <b>1-456-405</b> |
| No Metal Lid   | 298mm         | 500mm                 | <b>1-456-142</b> |



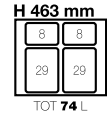
### 500 MM CARCASS - TO SUIT 500 NL



| Description    | Bucket Height | Drawer Nominal Length | Code             |
|----------------|---------------|-----------------------|------------------|
| With Metal Lid | 298mm         | 500mm                 | <b>1-456-505</b> |
| No Metal Lid   | 298mm         | 500mm                 | <b>1-456-153</b> |



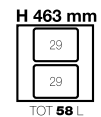
## 600 MM CARCASS - TO SUIT 500 NL



| Description    | Bucket Height | Drawer Nominal Length | Code             |
|----------------|---------------|-----------------------|------------------|
| With Metal Lid | 463mm         | 500mm                 | <b>1-456-607</b> |
| No Metal Lid   | 463mm         | 500mm                 | <b>1-456-167</b> |



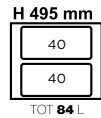
## 500 MM CARCASS - TO SUIT 500 NL



| Description    | Bucket Height | Drawer Nominal Length | Code             |
|----------------|---------------|-----------------------|------------------|
| With Metal Lid | 463mm         | 500mm                 | <b>1-456-507</b> |
| No Metal Lid   | 463mm         | 500mm                 | <b>1-456-155</b> |



## 600 MM CARCASS - TO SUIT 500 NL



| Description    | Bucket Height | Drawer Nominal Length | Code             |
|----------------|---------------|-----------------------|------------------|
| With Metal Lid | 495mm         | 500mm                 | <b>1-456-609</b> |
| No Metal Lid   | 495mm         | 500mm                 | <b>1-456-169</b> |



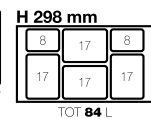
## 600 MM CARCASS - TO SUIT 500 NL



| Description    | Bucket Height | Drawer Nominal Length | Code             |
|----------------|---------------|-----------------------|------------------|
| With Metal Lid | 298mm         | 500mm                 | <b>1-456-605</b> |
| No Metal Lid   | 298mm         | 500mm                 | <b>1-456-165</b> |



## 900 MM CARCASS - TO SUIT 500 NL

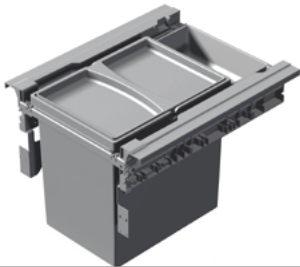


| Description    | Bucket Height | Drawer Nominal Length | Code             |
|----------------|---------------|-----------------------|------------------|
| With Metal Lid | 298mm         | 500mm                 | <b>1-456-905</b> |
| No Metal Lid   | 298mm         | 500mm                 | <b>1-456-195</b> |

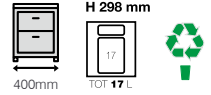
Drawer not included with 560 waste codes

Please select from the **TANDEMBOX 'M'** height drawer kits

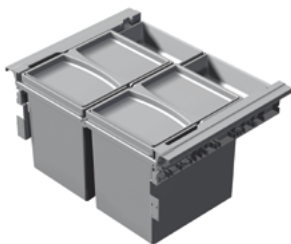
| TANDEMBOX Program | Finish      | Drawer Capacity | Code             |
|-------------------|-------------|-----------------|------------------|
| intivo            | Silk White  | 30kg            | <b>1-246-010</b> |
|                   | Silk White  | 65kg            | <b>1-246-012</b> |
|                   | Terra Black | 30kg            | <b>1-247-010</b> |
|                   | Terra Black | 65kg            | <b>1-247-012</b> |



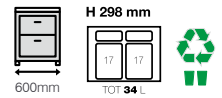
## 400 MM CARCASS - TO SUIT 450 NL



| Description    | Bucket Height | Drawer Nominal Length | Code             |
|----------------|---------------|-----------------------|------------------|
| With Metal Lid | 298mm         | 450mm                 | <b>1-456-401</b> |
| No Metal Lid   | 298mm         | 450mm                 | <b>1-456-141</b> |



## 600 MM CARCASS - TO SUIT 450 NL



| Description    | Bucket Height | Drawer Nominal Length | Code             |
|----------------|---------------|-----------------------|------------------|
| With Metal Lid | 298mm         | 450mm                 | <b>1-456-601</b> |
| No Metal Lid   | 298mm         | 450mm                 | <b>1-456-161</b> |



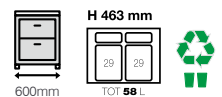
## 400 MM CARCASS - TO SUIT 450 NL



| Description    | Bucket Height | Drawer Nominal Length | Code             |
|----------------|---------------|-----------------------|------------------|
| With Metal Lid | 463mm         | 450mm                 | <b>1-456-453</b> |
| No Metal Lid   | 463mm         | 450mm                 | <b>1-456-443</b> |



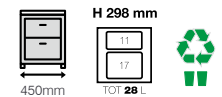
## 600 MM CARCASS - TO SUIT 450 NL



| Description    | Bucket Height | Drawer Nominal Length | Code             |
|----------------|---------------|-----------------------|------------------|
| With Metal Lid | 463mm         | 450mm                 | <b>1-456-603</b> |
| No Metal Lid   | 463mm         | 450mm                 | <b>1-456-163</b> |



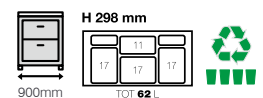
## 450 MM CARCASS - TO SUIT 450 NL



| Description    | Bucket Height | Drawer Nominal Length | Code             |
|----------------|---------------|-----------------------|------------------|
| With Metal Lid | 298mm         | 450mm                 | <b>1-456-451</b> |
| No Metal Lid   | 298mm         | 450mm                 | <b>1-456-143</b> |



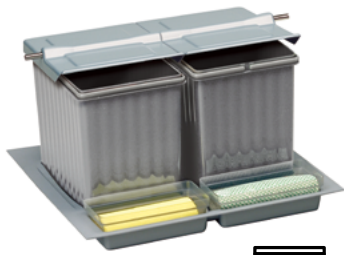
## 900 MM CARCASS - TO SUIT 450 NL



| Description    | Bucket Height | Drawer Nominal Length | Code             |
|----------------|---------------|-----------------------|------------------|
| With Metal Lid | 298mm         | 450mm                 | <b>1-456-901</b> |
| No Metal Lid   | 298mm         | 450mm                 | <b>1-456-191</b> |



## Stand In Drawer Systems



### RP921LS - 2 X 16 LITRES

**Features:**

- Automatic lid
- Includes 1 main tray, 2 small removable trays, 2 buckets with handles designed to fit the liner
- Ideal for Blum TANDEMBOX drawers
- Perfect for recycling
- Optional: Single drawer bottom mounted kit SERVO-DRIVE uno 1-244-003

| Width | Depth | Height | Finish | Code             |
|-------|-------|--------|--------|------------------|
| 540mm | 490mm | 320mm  | Grey   | <b>1-460-332</b> |



### RP922LS - 3 X 16 LITRES

**Features:**

- Automatic lid
- Includes 1 main tray, 3 small removable trays, 3 buckets with handles designed to fit the liner
- Ideal for Blum TANDEMBOX drawers
- Perfect for recycling
- SERVO-DRIVE option: speak to your local Territory Manager for component list

| Width | Depth | Height | Finish | Code             |
|-------|-------|--------|--------|------------------|
| 840mm | 490mm | 320mm  | Grey   | <b>1-460-303</b> |



### RP906 - 2 X 14 LITRES, 2 X 6.5 LITRES

**Features:**

- Includes 1 main tray, 3 small removable trays, 4 buckets with handles designed to fit the liner
- Ideal for Blum TANDEMBOX drawers
- Perfect for recycling
- SERVO-DRIVE option: speak to your local Territory Manager for component list

| Width | Depth | Height | Finish | Code             |
|-------|-------|--------|--------|------------------|
| 840mm | 490mm | 250mm  | Grey   | <b>1-460-302</b> |



### RP924LS - 3 X 16 LITRES

**Features:**

- Automatic lid
- Includes 1 main tray, 2 chrome wire racks, 3 buckets with handles designed to fit the liner
- Ideal for Blum TANDEMBOX drawers
- Perfect for recycling
- SERVO-DRIVE option: speak to your local Territory Manager for component list

| Width  | Depth | Height | Finish | Code             |
|--------|-------|--------|--------|------------------|
| 1140mm | 490mm | 320mm  | Grey   | <b>1-460-311</b> |

## VS ENVI KICK

### Features:

An ergonomically designed step to assist the mechanical opening of VS ENVI Space waste systems.

- Simple hands free opening, suitable for all VS ENVI Space XX Pro solutions

- Minimum plinth height 70mm
- For all pull-out fronts with self or soft closing
- Easy installation with installation template provided within kit
- Minimum space required under the waste system or drawer
- No damage to the front
- Kick pedal returns into position via return spring ready for the next opening.



|                  |
|------------------|
| <b>Code</b>      |
| <b>1-460-440</b> |

## VS ENVI SPACE XX PRO

### Features:

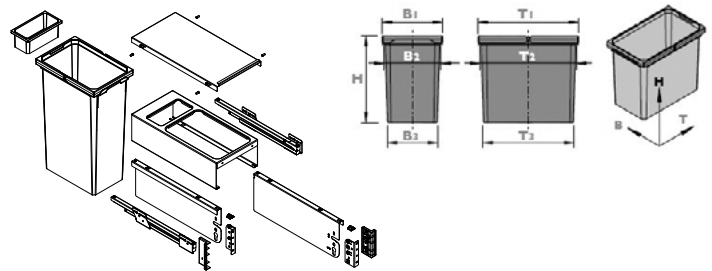
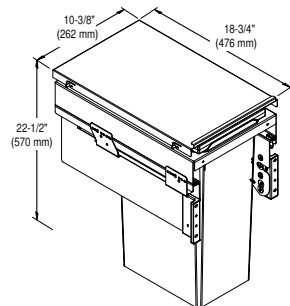
The VS ENVI Space XX Pro features a large capacity in a small cabinet, making them a perfect inclusion in any area where waste management is required.

- Minimum Cabinet Depth 515 mm
- Installation Height (min) 580 mm
- 50kg load capacity
- Full Extension, soft-close runners included
- Durable metal lid to control odour
- 3-D door adjustment

|                              |       |
|------------------------------|-------|
| <b>Maximum Load Capacity</b> |       |
| 50kg                         |       |
| <b>Cabinet Requirements</b>  |       |
| Minimum Cabinet Depth        | 515mm |
| Minimum Installation Height  | 580mm |



### 1 X 32 LITRE BUCKET, 1 X TRAY - 300MM

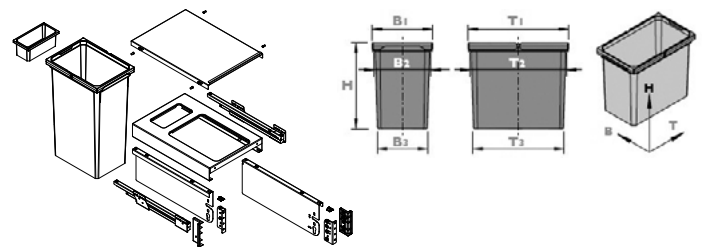
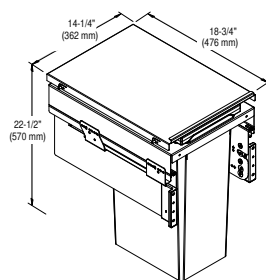


| Capacity | Height mm | Width mm |     |     | Depth mm |     |     |
|----------|-----------|----------|-----|-----|----------|-----|-----|
|          |           | L        | H   | B1  | B2       | B3  | T1  |
| 32       | 550       | 230      | 210 | 175 | 340      | 320 | 285 |

|                  |
|------------------|
| <b>Code</b>      |
| <b>1-460-430</b> |



### 1 X 35 LITRE BUCKET, 1 X TRAY - 400MM

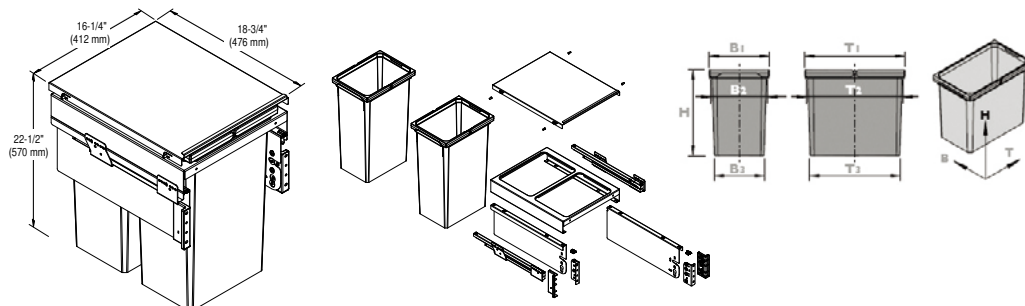


| Capacity | Height mm | Width mm |     |     | Depth mm |     |     |
|----------|-----------|----------|-----|-----|----------|-----|-----|
|          |           | L        | H   | B1  | B2       | B3  | T1  |
| 32       | 550       | 230      | 210 | 175 | 340      | 320 | 285 |

|                  |
|------------------|
| <b>Code</b>      |
| <b>1-460-432</b> |



## 2 X 35 LITRE BUCKETS - 450MM

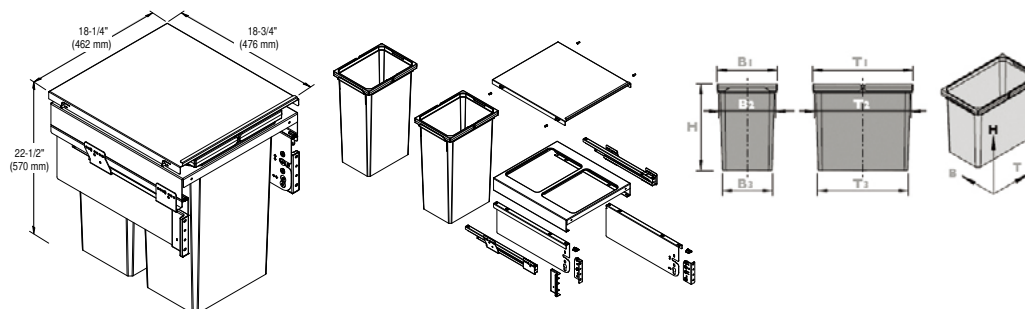


| Code      |
|-----------|
| 1-460-434 |

| Capacity | Height mm | Width mm |     |     | Depth mm |     |     |
|----------|-----------|----------|-----|-----|----------|-----|-----|
|          |           | L        | H   | B1  | B2       | B3  | T1  |
| 35       | 550       | 250      | 230 | 195 | 340      | 320 | 285 |



## 2 X 35 LITRE BUCKETS - 500MM

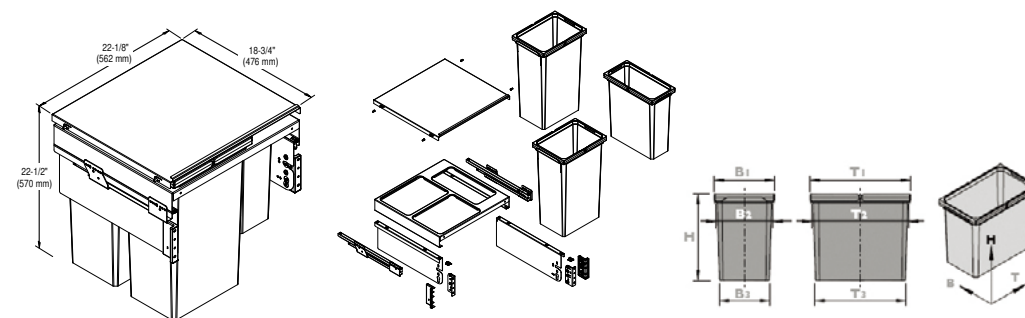


| Code      |
|-----------|
| 1-460-436 |

| Capacity | Height mm | Width mm |     |     | Depth mm |     |     |
|----------|-----------|----------|-----|-----|----------|-----|-----|
|          |           | L        | H   | B1  | B2       | B3  | T1  |
| 35       | 550       | 250      | 230 | 195 | 340      | 320 | 285 |



## 2 X 35 LITRE BUCKETS, 1 X 21 LITRE BUCKET - 600MM



| Code      |
|-----------|
| 1-460-438 |

| Capacity | Height mm | Width mm |     |     | Depth mm |     |     |
|----------|-----------|----------|-----|-----|----------|-----|-----|
|          |           | L        | H   | B1  | B2       | B3  | T1  |
| 35       | 550       | 250      | 230 | 195 | 340      | 320 | 285 |
| 21       | 426       | 183      | 163 | 136 | 382      | 362 | 335 |

## Free Standing Pull Out Systems



1-460-338

### RP550 & RP551 - PULLOUT BINS

**Features:**

- Quartz/light grey finish
- Totally extractable steel ball slides
- Ideal for kitchens or laundries
- Can hold up to 25kgs

| Description   | Width | Depth | Height | Code             |
|---|-------|-------|--------|------------------|
| RP550- 2 x 35 Litres                                      | 380mm | 493mm | 578mm  | <b>1-460-334</b> |
| RP551- 2 x 30 Litres                                      | 380mm | 493mm | 511mm  | <b>1-460-336</b> |
| RP555 - Optional Door Mounting Kit - Metallic Grey Finish |       |       |        | <b>1-460-338</b> |



### RP503 - 2 X 16 LITRES

**Features:**

- Patented automatic extraction mechanism
- Ball bearing slides
- Body & upper insert made of stainless steel

| Width | Depth | Height | Finish      | Code             |
|-------|-------|--------|-------------|------------------|
| 343mm | 477mm | 366mm  | Quartz Grey | <b>1-460-330</b> |



### RP226 - 20 LITRES

**Features:**

- Strong, economical slide out bin
- Removable plastic bin
- Ideal for minimal space of 300mm cabinet
- Smooth running ball runners

| Width | Depth | Height | Finish            | Code             |
|-------|-------|--------|-------------------|------------------|
| 255mm | 450mm | 398mm  | Light/Quartz Grey | <b>1-460-224</b> |



### RP227 - 2 X 14 LITRES

**Features:**

- Durable design and tested to 100,000 cycles
- Top designed to rest sponges, gloves etc
- Colour coded buckets

| Width | Depth | Height | Finish      | Code             |
|-------|-------|--------|-------------|------------------|
| 269mm | 455mm | 410mm  | Cream/Green | <b>1-460-225</b> |



### RP250 - 2 X 14 LITRES

**Features:**

- Patented automatic extraction mechanism
- Runs on ball bearing slides
- Stainless finish on buckets
- Durable design and tested up to 50,000 cycles with 10 kgs

| Width | Depth | Height | Finish            | Code             |
|-------|-------|--------|-------------------|------------------|
| 267mm | 440mm | 420mm  | Quartz/Light Grey | <b>1-460-308</b> |

# Free Standing Pull Out Systems

## SLIDE OUT BIN - 2 X 16 LITRES



### Features:

- Grey plastic finish
- Metal frame
- 2 x individual buckets
- Quick installation under every kind of sink
- Full extension slides

| Description | Width | Depth | Height | Code      |
|-------------|-------|-------|--------|-----------|
| RP - 291    | 343mm | 473mm | 339mm  | 2-460-199 |

## SLIDE OUT BIN - 1 X 16, 2 X 7.5 LITRES



### Features:

- Grey plastic finish
- Metal frame
- 3 x individual buckets
- Quick installation under every kind of sink
- Full extension slides

| Description | Width | Depth | Height | Code      |
|-------------|-------|-------|--------|-----------|
| RP - 292    | 343mm | 473mm | 400mm  | 2-460-200 |

## PULL OUT DOUBLE BIN - 2 X 15 LITRES

**KIMBERLEY**



KRB08 shown

### Features:

- Concealed twin-bin separation system
- KRB06D allows attachment of fascia panel directly to bin

| Description           | Width | Depth | Height | Code      |
|-----------------------|-------|-------|--------|-----------|
| KRB08 - Plastic frame | 350mm | 525mm | 340mm  | 1-460-099 |
| KRB06 - Metal frame   | 350mm | 525mm | 340mm  | 1-460-101 |
| KRB06D - Metal frame  | 350mm | 525mm | 340mm  | 1-460-100 |

## SLIDE OUT BIN

**KIMBERLEY**



KRB15 shown

### Features:

- Removable bucket for easy cleaning
- Simple to install
- Smooth running ball race runners
- KRB15 comes with divider for waste separation

| Description | Width | Depth | Height | Code      |
|-------------|-------|-------|--------|-----------|
| KRB12 - 15L | 266mm | 390mm | 334mm  | 1-460-096 |
| KRB15 - 44L | 350mm | 525mm | 464mm  | 1-460-120 |

# Atim



Homework



Lunch



Party



## PULL-OUT DRAWER TABLE

**Material:** Aluminium

**Finish:** Inox Bronze

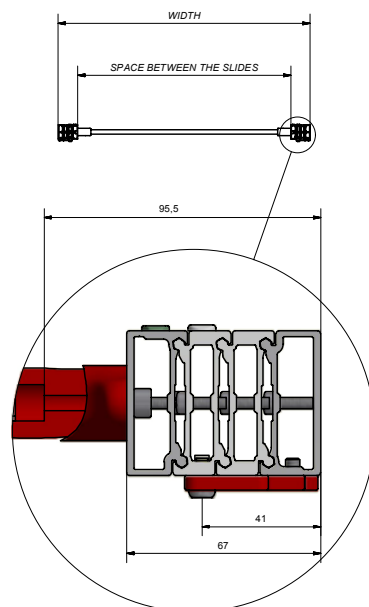
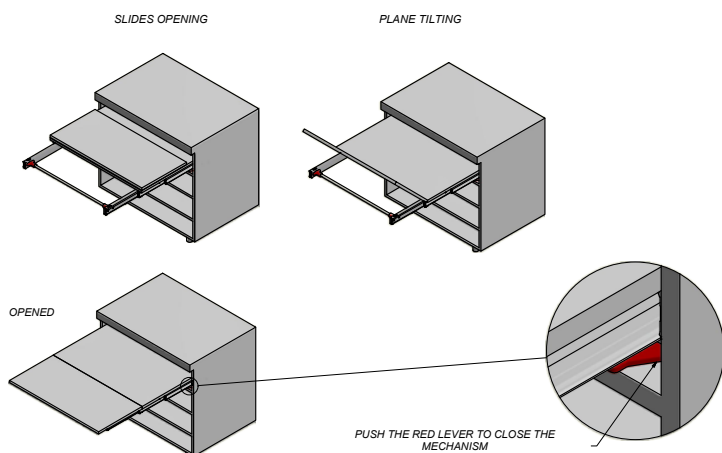
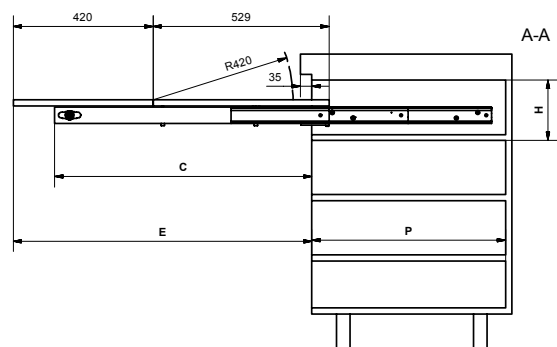
**Features:**

- 60Kg Load Capacity (evenly distributed)
- Maximum cabinet width 1200mm (can be cut to suit smaller widths)
- Includes hinges to connect table

**Function:** Simple slide mechanism out and fold table on top

| General Dimensions |                        |                                  |                                 |               |
|--------------------|------------------------|----------------------------------|---------------------------------|---------------|
| Cabinet Width      | Internal Cabinet Width | Space between the slides (front) | Space between the slides (rear) | Handle length |
| External           | L1 mm                  | L2 mm = L1 - 134                 | L3 mm = L1 - 82                 | L4 mm         |
| 450                | 410-420                | 276-286                          | 328-338                         | 215           |
| 600                | 560-570                | 426-436                          | 478-488                         | 365           |
| 900                | 860-870                | 726-736                          | 778-788                         | 665           |
| 1200               | 1160-1170              | 1026-1036                        | 1078-1088                       | 965           |

| Cabinet Dimensions   |        |                        |
|----------------------|--------|------------------------|
| Cabinet Location     | Symbol | Dimension              |
| Height               | H      | MIN 120mm              |
| Depth                | P      | MIN 540mm              |
| Internal width       | L      | MIN 410mm - MAX 1170mm |
| Panel/End thickness  | S      | 15-20mm                |
| Top width            | Z      | L-5mm                  |
| MAX working space    | E      | 895mm                  |
| MAX opening distance | C      | 773mm                  |



| Description           | Suits Cabinet                          | Code      |
|-----------------------|--|-----------|
| Lunch, Fold Out Table | 1200CW MAX, cut to suit smaller widths | 1-901-024 |

## PULL OUT EXTENSION TABLE FLUSH WITH COUNTER

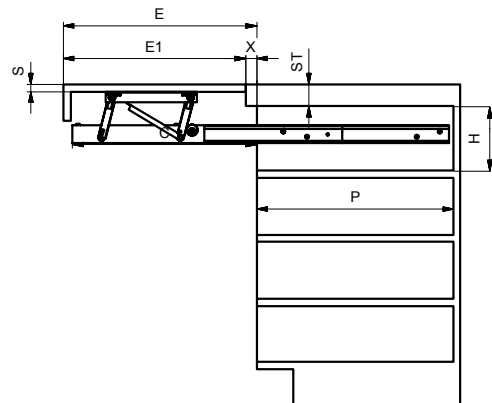
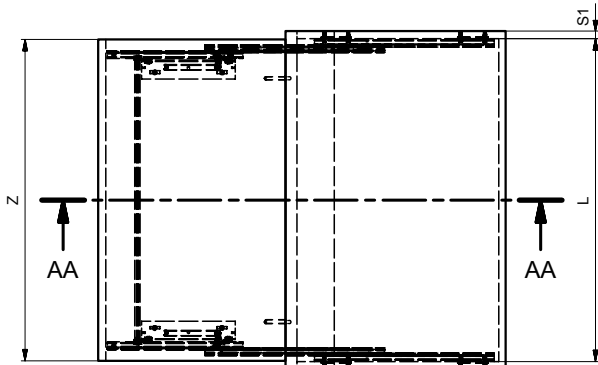
**Material:** Aluminium

**Finish:** Inox Bronze

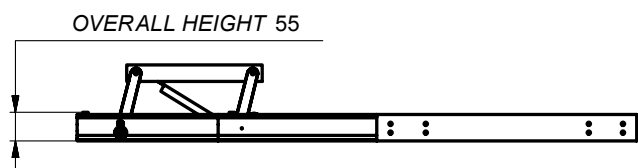
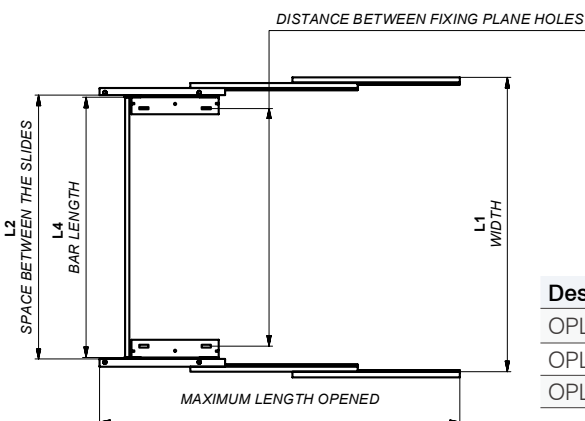
**Features:** 40Kg Load Capacity (evenly distributed)

**Function:** Simple slide mechanism out and lift to counter height

| Cabinet Dimensions    |        |                        |
|-----------------------|--------|------------------------|
| Cabinet Location      | Symbol | Dimension              |
| Height                | H      | MIN 75mm               |
| Depth                 | P      | MIN 540mm              |
| Internal width        | L      | MIN 410mm - MAX 1170mm |
| OPLA' TOP thickness   | S      | 15-20mm                |
| Panel/End thickness   | S1     | 15-20mm                |
| Counter top thickness | ST     | 20-60mm                |
| Top width             | Z      | L-5mm                  |
| Protrusion            | X      |                        |
| MAX working space     | E      | 500mm                  |
| OPLA' TOP depth       | E1     | E - X                  |
| MAX opening distance  | C      | 505mm                  |



| General Dimensions |                        |                                  |                               |            |  |
|--------------------|------------------------|----------------------------------|-------------------------------|------------|--|
| Cabinet Width      | Internal Cabinet Width | Space between the slides (front) | Distance between fixing holes | Bar length |  |
| External           | L1 mm                  | L2 mm                            | L3 mm                         | L4 mm      |  |
| 600                | 560-570                | 455.5-465.5                      | 381-391                       | 445.5      |  |
| 900                | 860-870                | 755.5-765.5                      | 681-691                       | 745.5      |  |
| 1200               | 1160-1170              | 1055.5-1065.5                    | 981-991                       | 1045.5     |  |



| Description                | Suits Cabinet | Code             |
|----------------------------|---------------|------------------|
| OPLA' TOP, Extension Table | Suits 600CW   | <b>1-901-002</b> |
| OPLA' TOP, Extension Table | Suits 900CW   | <b>1-901-004</b> |
| OPLA' TOP, Extension Table | Suits 1200CW  | <b>1-901-006</b> |



## PULL OUT EXTENSION TABLE FLUSH WITH SHELF ABOVE

**Material:** Aluminium

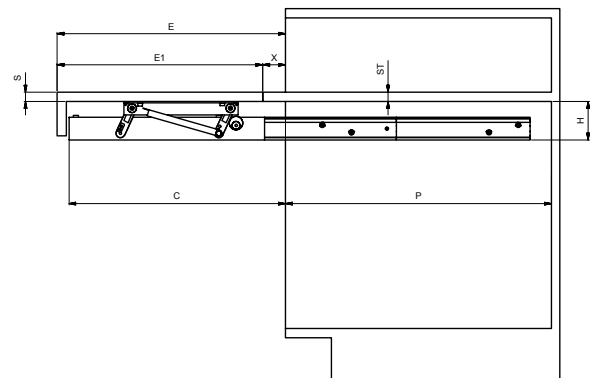
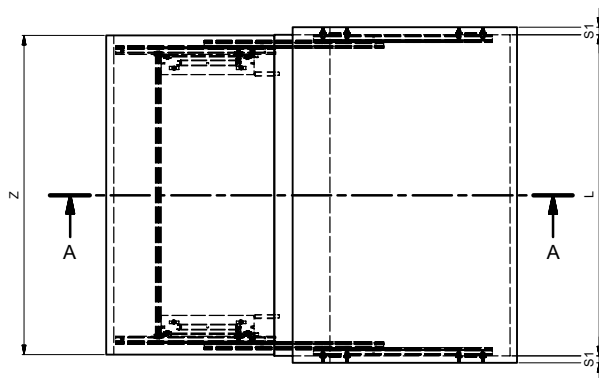
**Finish:** Inox Bronze

**Features:** 40Kg Load Capacity (evenly distributed)

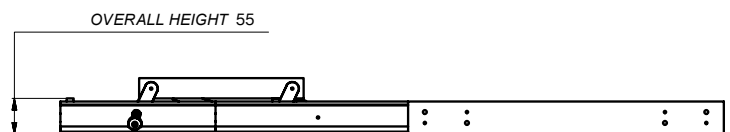
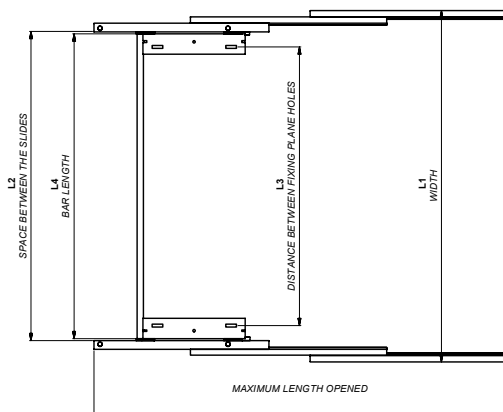
**Function:** Simple slide mechanism out and lift to shelf above



| Cabinet Dimensions    |        |                        |
|-----------------------|--------|------------------------|
| Cabinet Location      | Symbol | Dimension              |
| Height                | H      | MIN 75mm               |
| Depth                 | P      | MIN 540mm              |
| Internal width        | L      | MIN 410mm - MAX 1170mm |
| OPLA' thickness       | S      | 15-20mm                |
| Panel/End thickness   | S1     | 15-20mm                |
| Counter top thickness | ST     | 15-20mm                |
| Top width             | Z      | L-5mm                  |
| Protrusion            | X      |                        |
| MAX working space     | E      | 500                    |
| OPLA' depth           | E1     | E - X                  |
| MAX opening distance  | C      | 470                    |



| General Dimensions |                        |                                  |                               |            |
|--------------------|------------------------|----------------------------------|-------------------------------|------------|
| Cabinet Width      | Internal Cabinet Width | Space between the slides (front) | Distance between fixing holes | Bar length |
| External           | L1 mm                  | L2 mm                            | L3 mm                         | L4 mm      |
| 600                | 560-570                | 455.5-465.5                      | 381-391                       | 445.5      |
| 900                | 860-870                | 755.5-765.5                      | 681-691                       | 745.5      |
| 1200               | 1160-1170              | 1055.5-1065.5                    | 981-991                       | 1045.5     |



| Description            | Suits Cabinet | Code             |
|------------------------|---------------|------------------|
| OPLA', Extension Table | Suits 600CW   | <b>1-901-012</b> |
| OPLA', Extension Table | Suits 900CW   | <b>1-901-014</b> |
| OPLA', Extension Table | Suits 1200CW  | <b>1-901-016</b> |

## PULL-OUT DRAWER TABLE WITH DOUBLE TELESCOPIC FOLDING LEG

**Material:** Aluminium

**Finish:** Inox Bronze

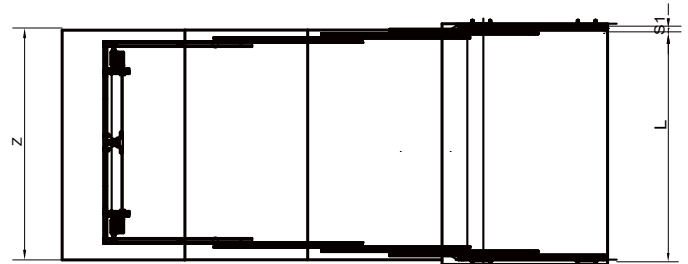
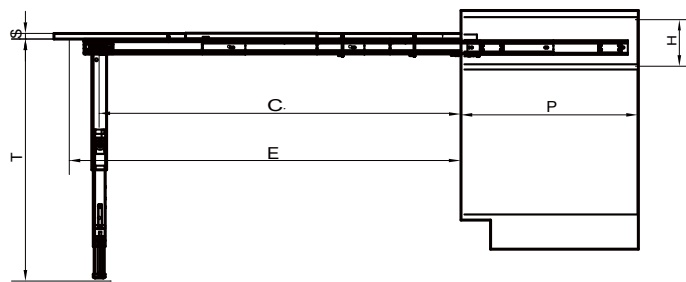
**Features:**

- 100Kg Load Capacity (evenly distributed)
- Includes hinges to connect table

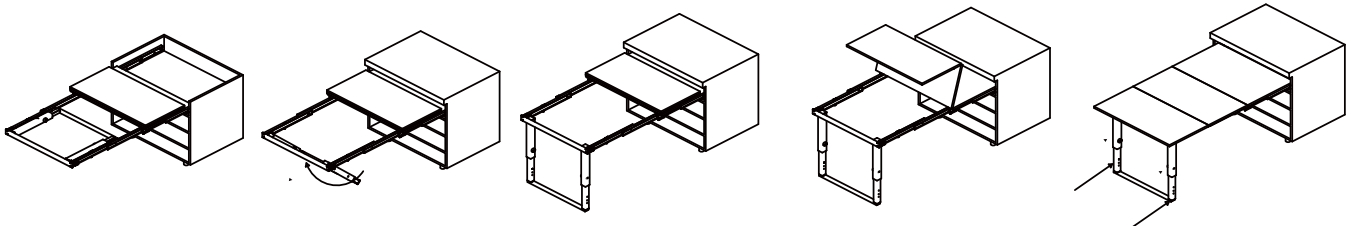
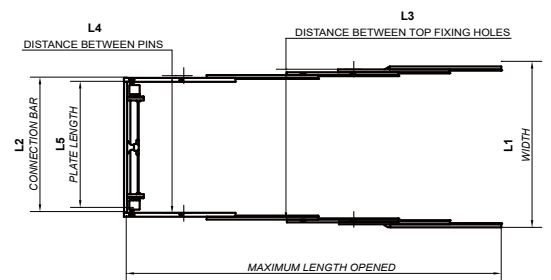
**Function:** Simple slide mechanism out fold leg into position and place top into position



| Cabinet Dimensions  |        |                        |
|---------------------|--------|------------------------|
| Cabinet Location    | Symbol | Dimension              |
| Height              | H      | MIN 150mm              |
| Depth               | P      | MIN 560mm              |
| Internal width      | L      | MIN 862mm - MAX 1168mm |
| Top thickness       | S      | MIN 16mm               |
| Panel/End thickness | S1     | 16-19mm                |
| Top width           | Z      | L-5mm                  |
| MAX working space   | E      | 1380mm                 |
| Mechanism opening   | C      | 470                    |



| General Dimensions |                        |                                  |                               |                       |              |
|--------------------|------------------------|----------------------------------|-------------------------------|-----------------------|--------------|
| Cabinet Width      | Internal Cabinet Width | Space between the slides (front) | Distance between fixing holes | Distance between pins | Plate Length |
| External           | L1 mm                  | L2 mm                            | L3 mm                         | L4 mm                 | L5 mm        |
| 900                | 862-868                | 698                              | 780                           | 714                   | 654.6        |
| 1200               | 1162-1168              | 998                              | 1080                          | 1014                  | 954.6        |



| Description           | Suits Cabinet          | Code      |
|-----------------------|------------------------|-----------|
| PARTY, Fold Out Table | With Leg, Suits 900CW  | 1-901-034 |
| PARTY, Fold Out Table | With Leg, Suits 1200CW | 1-901-036 |

## FOLD-OUT TABLE

**Material:** Aluminium

**Finish:** Inox Bronze

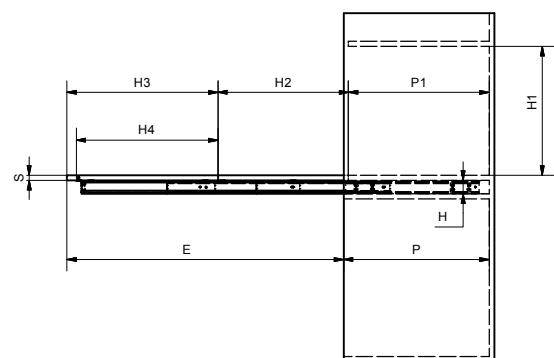
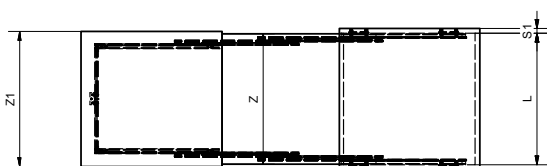
**Features:**

- 40Kg Load Capacity (evenly distributed)
- Available in 3 cabinet widths, 600, 900 and 1200mm
- Includes hinges to connect tops to cabinet and between tops

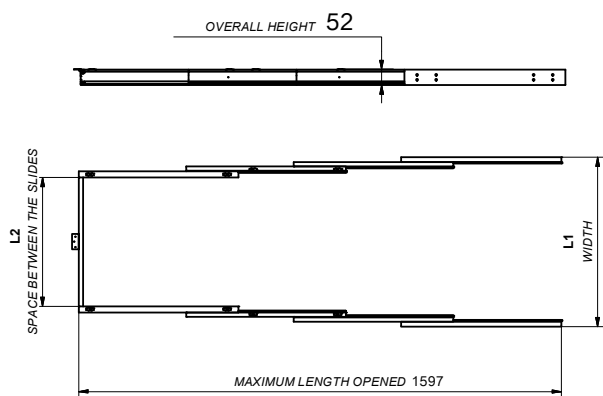
**Function:** Simple single action fold out table



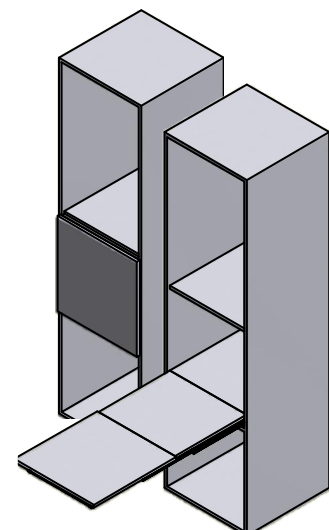
| Cabinet Dimensions  |        |                        |
|---------------------|--------|------------------------|
| Cabinet Location    | Symbol | Dimension              |
| Height              | H      | MIN 54mm               |
| Depth               | P      | MIN 540mm              |
| Top depth           | P1     | P-S                    |
| Internal width      | L      | MIN 560mm - MAX 1170mm |
| Top thickness       | S      | MIN 16mm               |
| Panel/End thickness | S1     | 15-20mm                |
| Top width 1         | Z      | L-5mm                  |
| Top width 2         | Z1     | Z + (S1-4)             |
| Top opening         | E      | 1100mm                 |
| Space height        | H1     | MAX: H2                |
| Top height 1        | H2     | MAX: 520mm             |
| Top height 1        | H3     | MIN: H2+80             |
| Hinge position      | H4     | H2+44mm                |



| Cabinet Width | Internal Cabinet Width | Space between the slides (front) |
|---------------|------------------------|----------------------------------|
| External      | L1 mm                  | L2 mm                            |
| 600           | 560-570                | 426                              |
| 900           | 860-870                | 726                              |
| 1200          | 1160-1170              | 1026                             |



| Description         | Suits Cabinet | Code      |
|---------------------|---------------|-----------|
| Homework, Fold Down | 600CW         | 1-901-050 |
| Homework, Fold Down | 900CW         | 1-901-052 |
| Homework, Fold Down | 1200CW        | 1-901-054 |





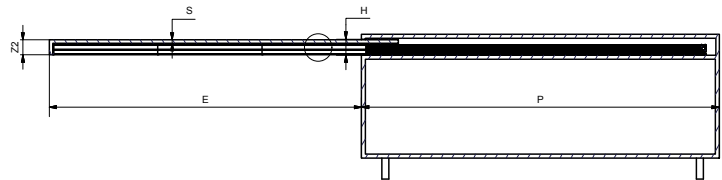
## PULL-OUT SLIDING TABLE

**Material:** Aluminium

**Finish:** Inox Bronze

**Features:** 60Kg Load Capacity (evenly distributed)

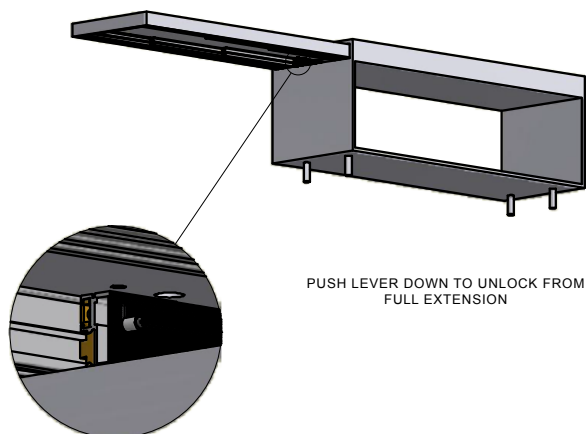
**Function:** Simple slide out table



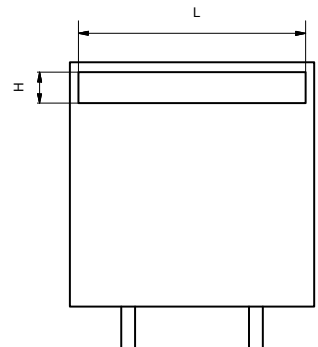
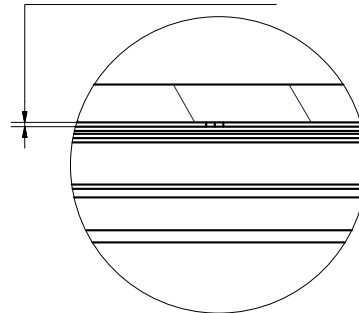
### Cabinet Dimensions

| Cabinet Location    | Symbol | Dimension  |
|---------------------|--------|------------|
| Height              | H      | MIN 80mm   |
| Internal free space | P      | MIN 1780mm |
| Internal width      | L      | MIN 600mm  |
| Top thickness       | S      | MIN 18mm   |
| Top width 1         | Z      | MIN L-5mm  |
| Top internal width  | Z1     | MIN 560mm  |
| Front height        | Z2     | H-5        |
| Top opening         | E      | 1600mm     |

MINIMUM 2MM SPACE BETWEEN TOP OF BREAKFAST AND UNDERSIDE OF PANEL/TOP ABOVE



PUSH LEVER DOWN TO UNLOCK FROM FULL EXTENSION



| Description      | Suits Cabinet            | Code      |
|------------------|--------------------------|-----------|
| Breakfast, Slide | INT, 1730MIN L, 560MIN W | 1-901-060 |

# Prua Short

## PULL-OUT SLIDING IRONING TABLE

**Material:** Aluminium

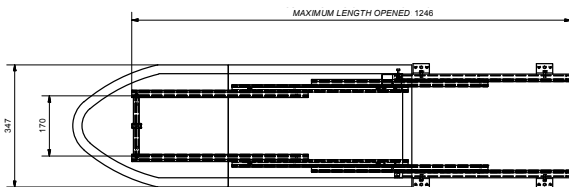
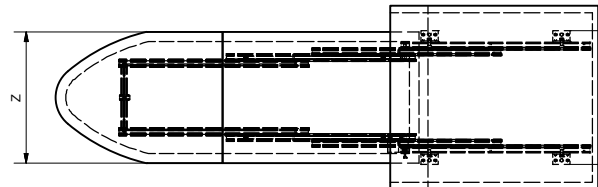
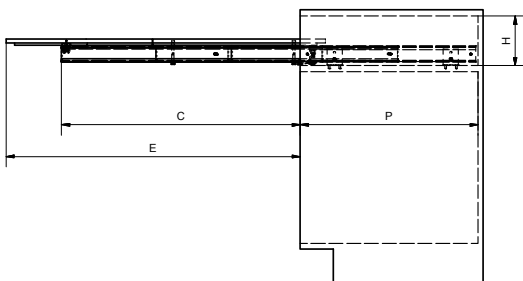
**Finish:** Inox Bronze

**Features:** 80Kg Load Capacity (evenly distributed)

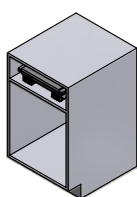
**Function:** Simple slide out table

### Cabinet Dimensions

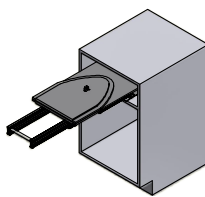
| Cabinet Location  | Symbol | Dimension |
|-------------------|--------|-----------|
| Height            | H      | MIN 140mm |
| Cabinet depth     | P      | MIN 450mm |
| Top width         | Z      | 350mm     |
| Top opening       | E      | 840mm     |
| Mechanism opening | C      | 700mm     |



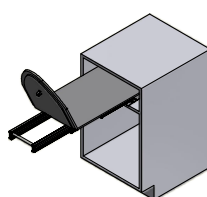
: 521



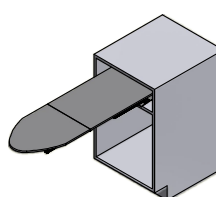
CLOSED



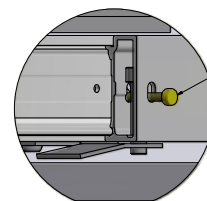
SLIDES OPENING



PLANE TILTING



OPENED



ENGAGED DURING OPENING  
PUSH UP THE SCREW TO CLOSE

### Description

Prua Short

### Suits Cabinet

MIN 360mm wide, 450mm depth

### Code

1-901-040

# Cutlery Trays



## LINEA CLASSICA

**Features:**

- Modern design
- Cut to size
- Available in white or grey



**LINEA CLASSICA 45**



**LINEA CLASSICA 50**



**LINEA CLASSICA 60**



**LINEA CLASSICA 90**



| Description       | Width |       | Depth |       | Height | Colour | Code             |
|-------------------|-------|-------|-------|-------|--------|--------|------------------|
|                   | Min   | Max   | Min   | Max   |        |        |                  |
| Linea Classica 45 | 347mm | 401mm | 390mm | 490mm | 45mm   | White  | <b>1-450-545</b> |
|                   |       |       |       |       |        | Grey   | <b>1-450-645</b> |
| Linea Classica 50 | 397mm | 451mm | 390mm | 490mm | 45mm   | White  | <b>1-450-550</b> |
|                   |       |       |       |       |        | Grey   | <b>1-450-650</b> |
| Linea Classica 60 | 497mm | 551mm | 390mm | 490mm | 45mm   | White  | <b>1-450-560</b> |
|                   |       |       |       |       |        | Grey   | <b>1-450-660</b> |
| Linea Classica 90 | 795mm | 840mm | 390mm | 490mm | 45mm   | White  | <b>1-450-590</b> |
|                   |       |       |       |       |        | Grey   | <b>1-450-690</b> |

## Accessories

| Description           | Colour | Code             |
|-----------------------|--------|------------------|
| Wooden chopping board |        | <b>1-450-695</b> |
| Wooden knife block    |        | <b>1-450-696</b> |
| Film dispenser        | White  | <b>1-450-697</b> |
|                       | Grey   | <b>1-450-698</b> |



**Features:**

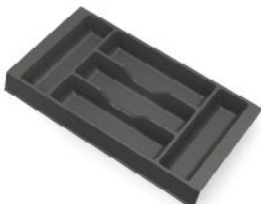
- Modular design
- Customise layout to suit drawer size
- Suits drawer depth of 500mm

Combi is the new line of modular cutlery trays by Gollinucci. Designed to create the best mix of aesthetics and space, the modules feature a finished edge that allows the cutlery tray to be inserted straight into part of the drawer, giving you the possibility to accessorise the remainder of the drawer however you like.

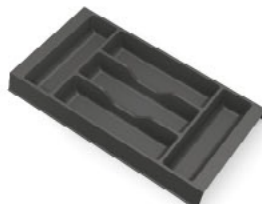
The modules available can create numerous options for a variety of different drawer widths. Combi is made even more functional by the possibility to accessorise the modules with knife holders and chopping boards

| Description   | Width | Depth | Height | Code             |
|---|-------|-------|--------|------------------|
| Linea Combi 710                                     | 266mm | 474mm | 45mm   | <b>1-450-710</b> |
| Linea Combi 714                                     | 376mm | 474mm | 45mm   | <b>1-450-714</b> |
| Linea Combi 712 - side finishing wing on both sides | 278mm | 474mm | 45mm   | <b>1-450-712</b> |
| Linea Combi 715                                     | 240mm | 474mm | 45mm   | <b>1-450-715</b> |
| Wooden Knife Block – suits 1-450-714 & 1-450-715    |       |       |        | <b>1-450-716</b> |
| Chopping Board – suits 1-450-714 & 1-450-715        |       |       |        | <b>1-450-717</b> |

**1-450-710**



**1-450-712**



**1-450-714**



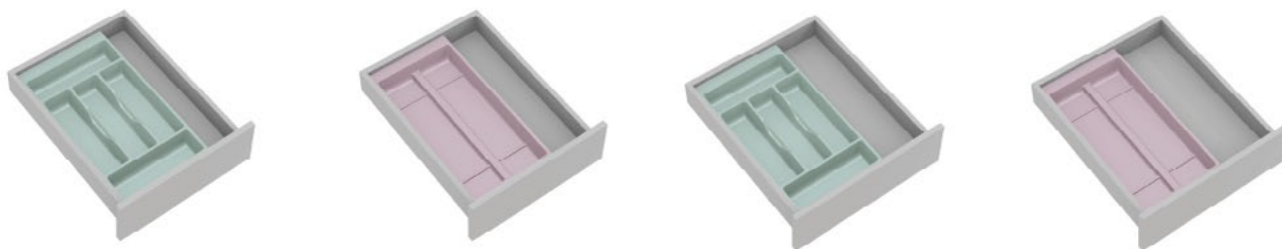
**1-450-715**





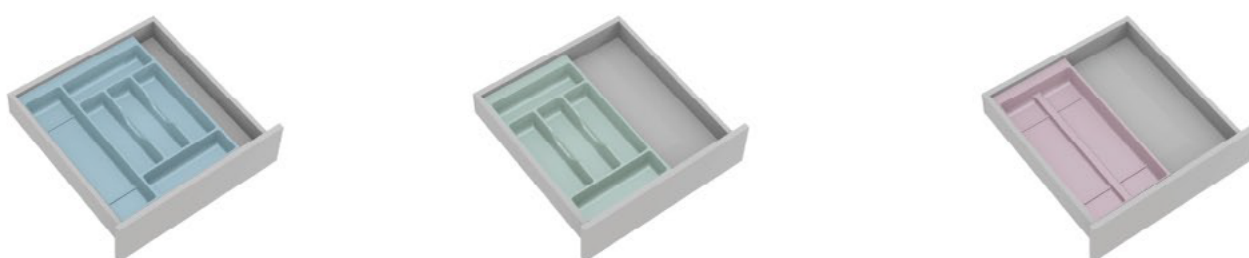
# Linea Combi Suggested Layouts

## TO SUIT 400MM WIDE DRAWER

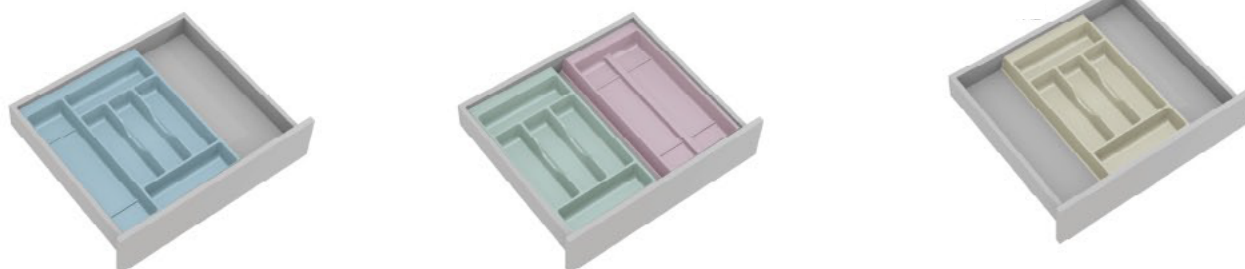


## TO SUIT 450MM WIDE DRAWER

## TO SUIT 500MM WIDE DRAWER



## TO SUIT 600MM WIDE DRAWER



## TO SUIT 900MM WIDE DRAWER



## TO SUIT 1200MM WIDE DRAWER

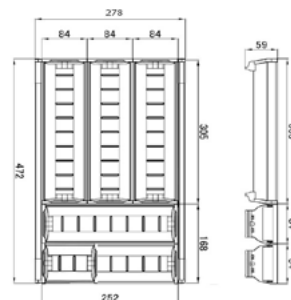


# Cutlery Trays

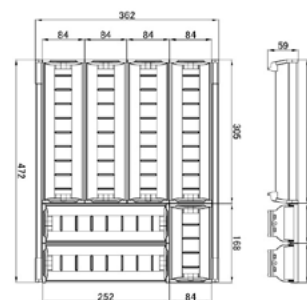
## FINISTA CUTLERY TRAYS

### Features:

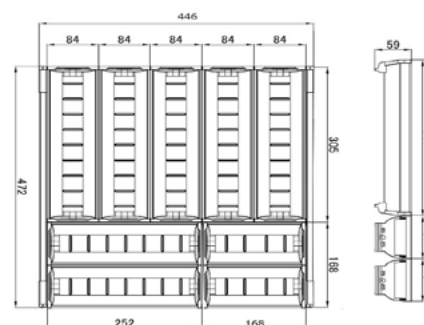
- Designed to suit our Finista metal drawer program
- Supplied with 2 (front to back) drawer dividers that allow the trays to be secured in the middle of a drawer
- Trays can also be placed against the side of the drawer by removing one of the dividers and using elsewhere in the drawer
- Suits 500 nominal length drawers



| Description        | Cabinet Width                   | Code             |
|--------------------|---------------------------------|------------------|
| Finista Cutlery F4 | Suits Cabinets 450mm or greater | <b>1-214-003</b> |



| Description        | Cabinet Width                   | Code             |
|--------------------|---------------------------------|------------------|
| Finista Cutlery F6 | Suits Cabinets 600mm or greater | <b>1-214-006</b> |



| Description        | Cabinet Width                   | Code             |
|--------------------|---------------------------------|------------------|
| Finista Cutlery F7 | Suits Cabinets 700mm or greater | <b>1-214-009</b> |

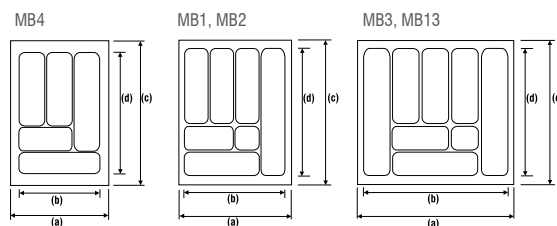
# Cutlery Trays & Spice Racks



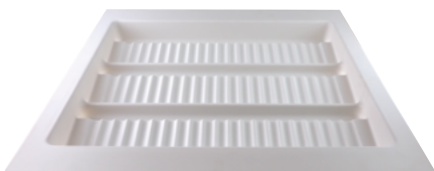
## FINISTA CUTLERY TRAYS

### Features:

- Suits METABOX drawers
- Available in gloss and textured finishes
- Tray height 55mm



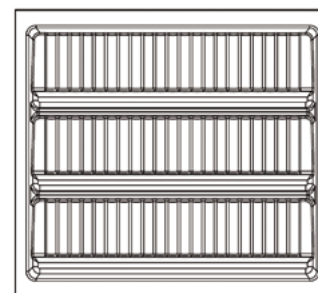
| Description | Max Width (a) | Min Width (b) | Max Depth (c) | Min Depth (d) | Colour         | Code             |
|-------------|---------------|---------------|---------------|---------------|----------------|------------------|
| MB4         | 340mm         | 300mm         | 500mm         | 440mm         | White Textured | <b>1-453-673</b> |
| MB1         | 390mm         | 350mm         | 500mm         | 440mm         | White Textured | <b>1-453-676</b> |
| MB2         | 440mm         | 400mm         | 500mm         | 440mm         | White Textured | <b>1-453-678</b> |
|             | 440mm         | 400mm         | 500mm         | 440mm         | White Gloss    | <b>1-453-664</b> |
| MB3         | 540mm         | 500mm         | 500mm         | 440mm         | White Textured | <b>1-453-680</b> |
|             | 540mm         | 500mm         | 500mm         | 440mm         | White Gloss    | <b>1-453-666</b> |
| MB13        | 535mm         | 495mm         | 378mm         | 355mm         | White Textured | <b>1-453-681</b> |



## SPICE RACK - UNCUT

### Features:

- Minimum drawer depth of 83mm required
- Tray has a wide rim, which can be cut down to the internal drawer dimensions
- Available in white



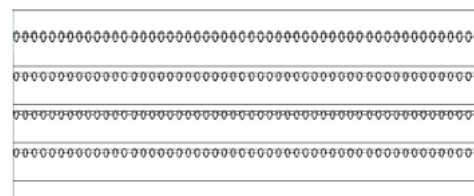
| Max   | Width |       | Depth |     | Colour | Code             |
|-------|-------|-------|-------|-----|--------|------------------|
|       | Min   | Max   | Min   | Max |        |                  |
| 540mm | 500mm | 490mm | 440mm |     | White  | <b>1-450-195</b> |



## SPICE RACK

### Features:

- Minimum drawer depth of 83mm required
- Can be cut to suit required drawer depth and width
- Available in cream and white



| Width  | Depth | Colour         | Code             |
|--------|-------|----------------|------------------|
| 1300mm | 550mm | White Textured | <b>1-450-094</b> |
| 1300mm | 550mm | White          | <b>1-450-093</b> |



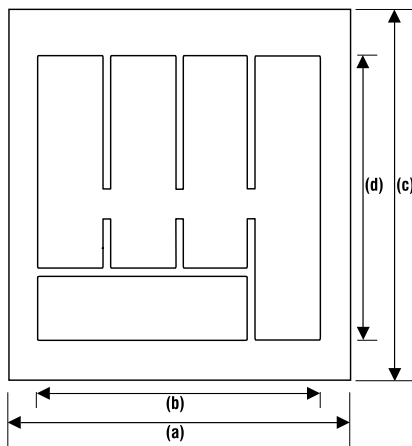
## PLASTIC CUTLERY INSERT TRAY - PRECUT



### Features:

- Precut to suit various cabinet sizes (see specifications below)
- Made from hygienic and easy to clean high impact styrene
- Gloss white finish

| Width | Depth | Height | Code      |
|-------|-------|--------|-----------|
| 322mm | 372mm | 55mm   | 1-450-120 |
| 372mm | 372mm | 55mm   | 1-450-122 |
| 422mm | 372mm | 55mm   | 1-450-124 |



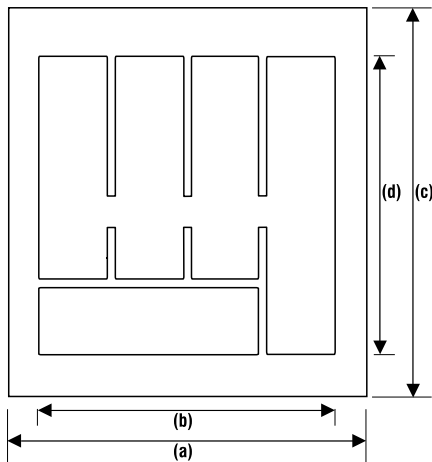
## PLASTIC CUTLERY INSERT TRAY - UNCUT



### Features:

- Trays have a wide rim, which can be cut down to the internal drawer dimensions with a circular saw
- Made from hygienic and easy to clean high impact styrene
- Gloss white finish

| Width   |         | Depth   |         | Height | Code      |
|---------|---------|---------|---------|--------|-----------|
| Min (b) | Min (a) | Min (d) | Min (c) |        |           |
| 300mm   | 450mm   | 360mm   | 440mm   | 55mm   | 1-450-190 |



## PLASTIC CUTLERY INSERT TRAY - UNCUT



### Features:

- Trays have a wide rim, which can be cut down to the internal drawer dimensions with a circular saw
- Made from hygienic and easy to clean high impact styrene
- Gloss white finish

| Width   |         | Depth   |         | Height | Code      |
|---------|---------|---------|---------|--------|-----------|
| Min (b) | Min (a) | Min (d) | Min (c) |        |           |
| 306mm   | 450mm   | 346mm   | 435mm   | 55mm   | 1-450-090 |
| 357mm   | 445mm   | 362mm   | 483mm   | 55mm   | 1-450-092 |

# Non-Slip Drawer Liner

## An essential addition to stop items sliding around in drawers.

Non-slip liner is an essential addition to any kitchen to prevent damage to drawers and the items within them. The non-slip liner sits on the inside bottom of the drawer and stops damage from items sliding around. It's also easy to wipe clean, thick and durable, and food safe.

Available in Solid (Blue Grey) or Fibre (Black or Umbra Grey) finish.



### SOLID BLUE GREY

Roll length: 25m per roll

| To Suit NL | Roll Width | Code      |
|------------|------------|-----------|
| 500mm      | 474mm      | 1-452-047 |
| 550mm      | 524mm      | 1-452-052 |



### FIBRE BLACK

Roll length: 25m per roll

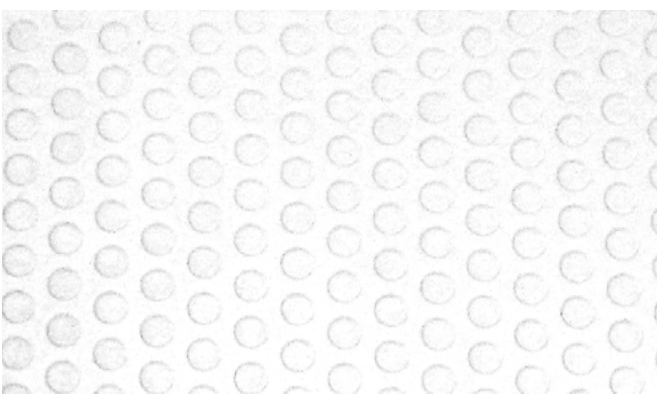
| To Suit NL | Roll Width | Code      |
|------------|------------|-----------|
| 500mm      | 474mm      | 1-452-147 |
| 550mm      | 524mm      | 1-452-152 |



### FIBRE UMBRA GREY

Roll length: 25m per roll

| To Suit NL | Roll Width | Code      |
|------------|------------|-----------|
| 500mm      | 474mm      | 1-452-247 |
| 550mm      | 524mm      | 1-452-252 |



### TOP SOFT WHITE

Roll length: 25m per roll

| To Suit NL | Roll Width | Code      |
|------------|------------|-----------|
| 500mm      | 476mm      | 1-452-095 |

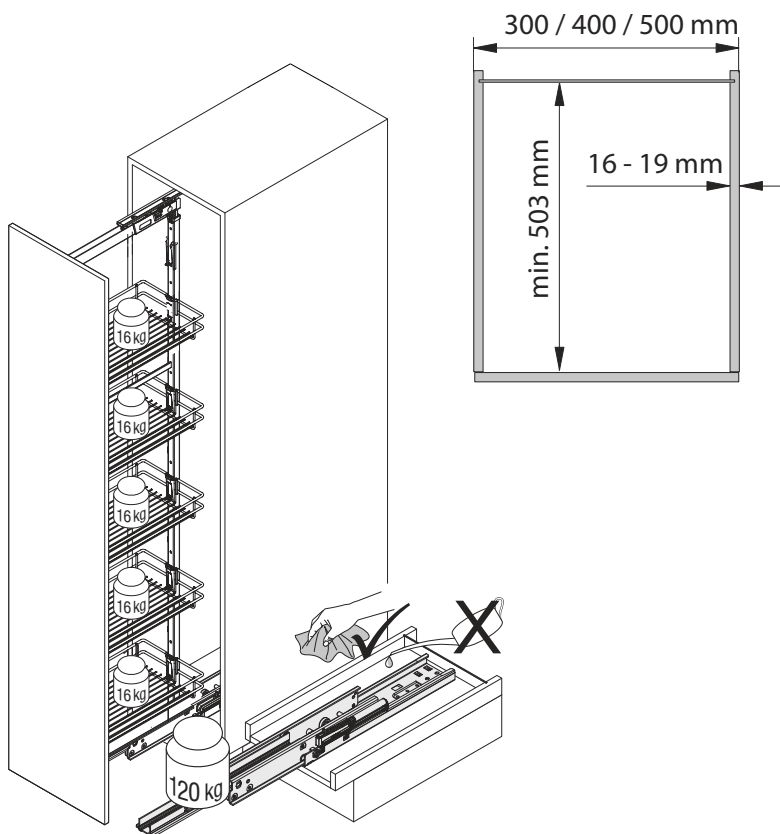
# Finista Wire Storage



# Finista Wire Storage

## FINISTA PULL OUT PANTRY

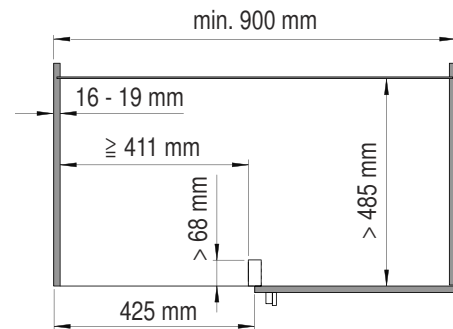
- Made in Germany
- Available in two heights: 1700 - 1950 and 1900 - 2140
- 3 cabinet widths: 300, 400 and 500
- Grey frame with grey powdercoated baskets (see basket detail in adjacent image for design)
- 5 baskets supplied per pantry solution (all in one box)
- 16kg per basket
- 80Kg per pantry
- Supplied as a kit (3), frame, baskets and runner



| 1700 - 1950H              | Code      |
|---------------------------|-----------|
| 1700 - 1950H, 300CW, Grey | 1-476-150 |
| 1700 - 1950H, 400CW, Grey | 1-476-152 |
| 1700 - 1950H, 500CW, Grey | 1-476-154 |
| 1900 - 2140H              | Code      |
| 1900 - 2140H, 300CW, Grey | 1-476-160 |
| 1900 - 2140H, 400CW, Grey | 1-476-162 |
| 1900 - 2140H, 500CW, Grey | 1-476-164 |

## FINISTA BLIND CORNER LEFT HAND

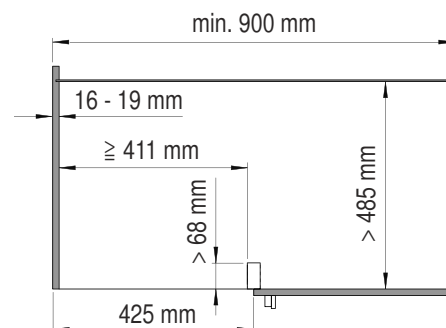
- Made in Germany
- Grey frame with powdercoated grey baskets
- 9kg per rear basket
- 8.5kg per front basket
- Supplied as a kit (2), frame and baskets



| Description                  | Code      |
|------------------------------|-----------|
| Left Hand, Frame and Baskets | 1-476-170 |

## FINISTA BLIND CORNER RIGHT HAND

- Made in Germany
- Grey frame with powdercoated grey baskets
- 9kg per rear basket
- 8.5kg per front basket
- Supplied as a kit (2), frame and baskets



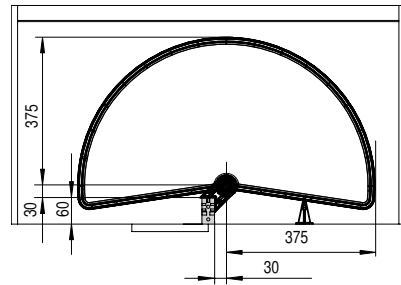
| Description                   | Code      |
|-------------------------------|-----------|
| Right Hand, Frame and Baskets | 1-476-172 |





## FINISTA LAZY SUSAN 1/2

- Made in Germany
- Simple to install
- Powdercoated grey
- 15kg shelf capacity
- All components within 1 box
- Minimum Internal Height = 510mm
- Minimum Internal Cabinet Depth = 500mm
- Minimum External Cabinet width = 900mm
- Minimum Door Width = 450mm

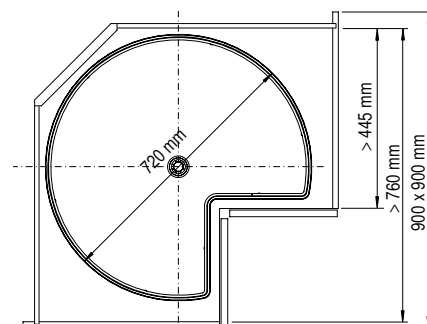


| Description                | Code             |
|----------------------------|------------------|
| 1/2 shelf suits 900 corner | <b>1-476-104</b> |



## FINISTA LAZY SUSAN 3/4

- Made in Germany
- Simple to install
- Powdercoated grey
- 15kg shelf capacity
- All components within 1 box
- Minimum Internal Cabinet Height = 660mm
- Maximum Internal Cabinet Height = 740mm

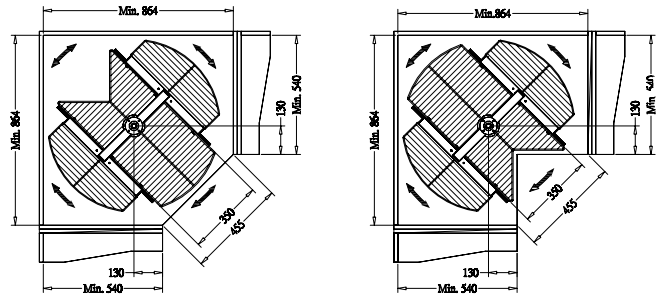


| Description                | Code             |
|----------------------------|------------------|
| 3/4 shelf suits 900 corner | <b>1-476-106</b> |



## FINISTA ROTATING CORNER PULL OUT

- Minimum internal cabinet height = 620mm
- Maximum cabinet height = 770mm
- Individual side basket capacity = 8Kg
- Individual pull-out basket = 15Kg

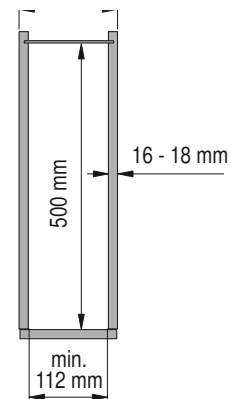


| Description                | Cabinet Requirements | Code             |
|----------------------------|----------------------|------------------|
| Finista, Rotating Pull Out | Suits 900 x 900 unit | <b>1-471-015</b> |



## FINISTA BASE CABINET CADDY (SIDE MOUNT)

- Made in Germany
- Powdercoated grey
- Side mounted ball bearing runners
- Includes 2 front fixing brackets
- Minimum Internal Cabinet Width = 112mm
- Right side fixing standard (as shown), can be changed to left side with 2.5mm Allen Key
- Minimum Internal Cabinet Height = 460mm

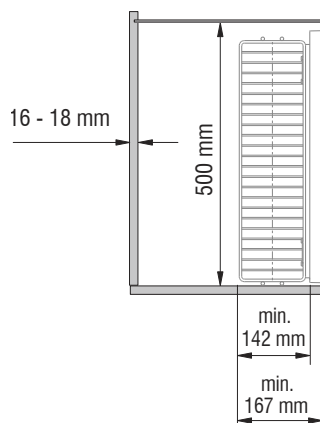


| Item                     | Description         | Code             |
|--------------------------|---------------------|------------------|
| Finista, Caddy 150, Sfix | 112mm MIN Int, Grey | <b>1-476-115</b> |



## FINISTA BASE CABINET CADDY (SIDE MOUNT)

- Made in Germany
- Powdercoated grey
- Side mounted ball bearing runners
- Includes 2 front fixing brackets
- Minimum Internal Cabinet Width = 112mm
- Right side fixing standard (as shown), can be changed to left side with 2.5mm Allen Key
- Minimum Internal Cabinet Height = 460mm

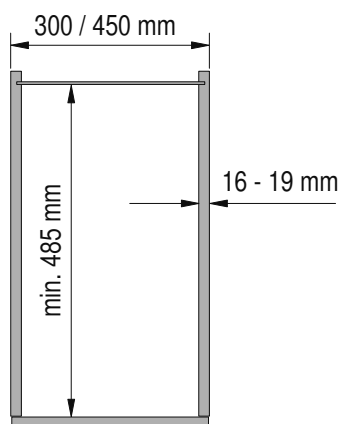


| Item                     | Description         | Code             |
|--------------------------|---------------------|------------------|
| Finista, Caddy 200, Sfix | 167mm MIN Int, Grey | <b>1-476-120</b> |



## FINISTA BASE CABINET CADDY (SIDE MOUNT)

- Made in Germany
- Powdercoated grey
- Bottom mounted ball bearing runners
- Suits Minimum internal cabinet widths 235 and 380mm
- Minimum internal cabinet height = 460mm



| Description     | Minimum Internal Cabinet Width | Code             |
|-----------------|--------------------------------|------------------|
| 2 Baskets, Grey | 235mm                          | <b>1-476-130</b> |
| 2 Baskets, Grey | 380mm                          | <b>1-476-135</b> |

# Accessories

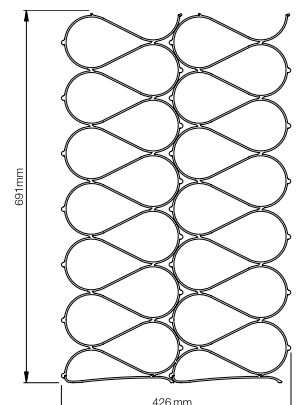
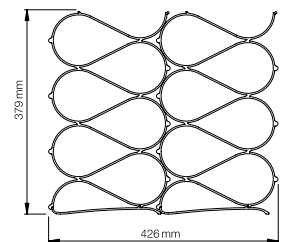




## ECHELON WINE RACK SYSTEM

### Features:

- Modular bottle storage system
- Each kit includes 12 or 24 bottle modules, 2 base modules, 2 x steel rods, 2 x dowels, 4 x wall brackets
- Sized conveniently to fit in conventional kitchen and cabinet joinery
- The modular system allows to change components easily
- Space efficient, can fit 90 bottles per square metre
- Extra components available
- Can be secured to the wall



| Description          | Dimensions           | Code             |
|----------------------|----------------------|------------------|
| 12 Bottle Kit        | 200mm                | <b>1-472-114</b> |
| 24 Bottle Kit        | 200mm                | <b>1-472-116</b> |
| Bottle Module        | 200mm depth          | <b>1-472-100</b> |
| Base Module          | 200mm depth          | <b>1-472-102</b> |
| Wall Bracket         |                      | <b>1-472-104</b> |
| Stainless Steel Tube | 6mm x 1200mm lengths | <b>1-472-106</b> |

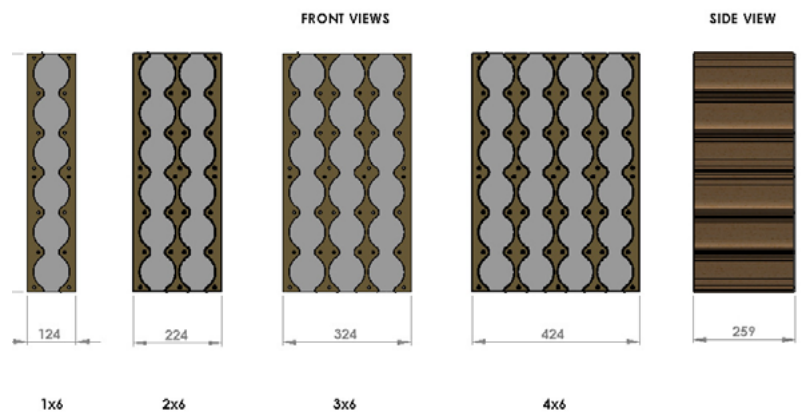
# Wine Bottle Storage Solutions



## ECHELON RHYTHM WINE RACK

### Features:

- Comes in 6 bottle increments
- Add additional modules to create your own custom layout
- Comes in either black or brass finishes



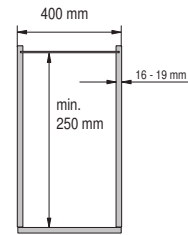
Available through special purchasing ([specials@lincolnsentry.com.au](mailto:specials@lincolnsentry.com.au))



## WINE RACK - WALL MOUNTED

**Features:**

- Suits min external cabinet width 400mm
- 12 bottle capacity
- Load capacity 50kg
- Chrome finish



| Width | Height | Depth | Finish | Code             |
|-------|--------|-------|--------|------------------|
| 308mm | 458mm  | 190mm | Chrome | <b>1-472-085</b> |



## WINE GLASS RACK - 3 ROW CLOSED END

**Features:**

- Top mounted
- Holds 12 standard wine glasses
- Chrome finish

| Width | Depth | Finish | Code             |
|-------|-------|--------|------------------|
| 330mm | 310mm | Chrome | <b>1-472-082</b> |



## WINE GLASS RACK - 3 ROW OPEN

**Features:**

- Top mounted
- Holds 12-18 standard wine glasses
- Allow 75mm space when adding more glass racks
- Chrome finish

| Description | Width | Depth | Finish | Code             |
|-------------|-------|-------|--------|------------------|
| Jumbo       | 270mm | 400mm | Chrome | <b>1-476-200</b> |
| Standard    | 270mm | 270mm | Chrome | <b>1-476-205</b> |



## WINE GLASS RACK - 2 ROWS

**Features:**

- Holds 6 standard wine glasses
- Chrome finish

| Width | Height | Depth | Finish | Code             |
|-------|--------|-------|--------|------------------|
| 214mm | 65mm   | 330mm | Chrome | <b>1-478-202</b> |



## WINE GLASS RACK - 1 ROW

**Features:**

- Holds 3 standard wine glasses
- Chrome finish

| Width | Height | Depth | Finish | Code             |
|-------|--------|-------|--------|------------------|
| 105mm | 65mm   | 340mm | Chrome | <b>1-478-204</b> |



## SIDE MOUNT TEA TOWEL RAIL - 2 ARM

### Features:

- Ribbed plastic outer case that slides on anodised aluminium rods with in built tension device to resist turning
- Easily fixed to inside of cupboards and has telescopic arms for easy access

| Length      | Width | Height | Finish        | Code             |
|-------------|-------|--------|---------------|------------------|
| 380mm-670mm | 120mm | 117mm  | White Plastic | <b>1-454-166</b> |



## SIDE MOUNT TEA TOWEL RAIL - 2 ARM

### Features:

- Universal side-fix or top mount to inside or outside cupboards
- Integrated slide pull-out runner

| Length      | Width | Height | Finish          | Code             |
|-------------|-------|--------|-----------------|------------------|
| 440mm-720mm | 95mm  | 40mm   | Satin Aluminium | <b>1-454-158</b> |



## SIDE MOUNT TEA TOWEL RAIL - 2 ARM

### Features:

- Strong plated steel arms with protective ends
- Universal side-fix to inside or outside cupboards or on to any vertical surface
- Integrated slide pull-out runner

| Length      | Width | Height | Finish        | Code             |
|-------------|-------|--------|---------------|------------------|
| 420mm-720mm | 115mm | 25mm   | Chrome Plated | <b>1-454-160</b> |



## SIDE MOUNT TEA TOWEL RAIL - 3 ARM

### Features:

- Universal side-fix to inside or outside cupboards or on to any vertical surface
- Integrated slide pull-out runner

| Length      | Width | Height | Finish        | Code             |
|-------------|-------|--------|---------------|------------------|
| 420mm-720mm | 130mm | 35mm   | Chrome Plated | <b>1-454-159</b> |





## SOUS-CHEF

Sous-Chef is an innovative solution for the kitchen designed to organise even the smallest spaces. Equipped with removable trays which can be freely moved around, the Sous-Chef allows you to have the ingredients and accessories for everyday use at your fingertips.

### Features:

- Easy to install
- Designed to work in with Blum LEGRABOX C height drawers
- To suit a minimum internal cabinet height of 640mm
- To suit a minimum cabinet width of 300mm

| Width | Height | Depth | Colour | Code             |
|-------|--------|-------|--------|------------------|
| 244mm | 634mm  | 516mm | White  | <b>1-454-300</b> |
|       |        |       | Grey   | <b>1-454-305</b> |



Finista Float is an extremely versatile aluminium system that allows you to create an endless range of shelving, furniture and storage solutions. The simple aesthetics of Float make it easy to integrate into any design, and its ease-of-assembly make it perfect for use in a variety of living spaces.

Float comes in kits that contain all the pieces to make boxes 450mm, 600mm and 900mm in length.

#### Features:

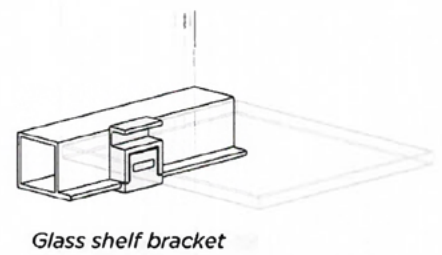
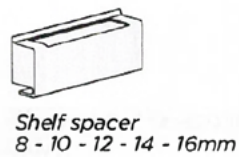
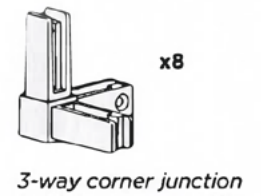
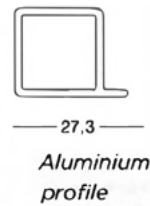
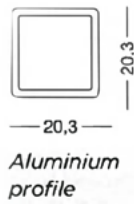
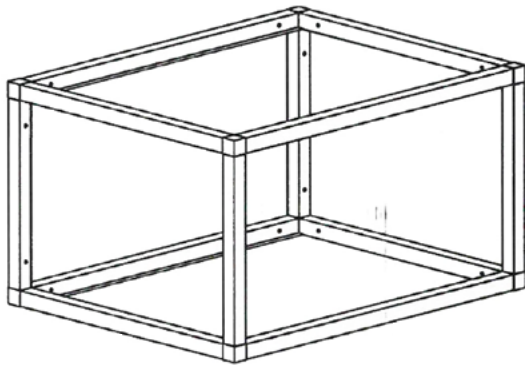
- Lightweight Aluminium
- Matte Black finish
- Easy to assemble
- Customise to suit application

| Description | Width | Depth | Height | Code             |
|-------------|-------|-------|--------|------------------|
| Float 450   | 450mm | 330mm | 360mm  | <b>1-454-450</b> |
| Float 600   | 600mm | 330mm | 360mm  | <b>1-454-600</b> |
| Float 900   | 900mm | 330mm | 360mm  | <b>1-454-900</b> |

| Description      | Width                           | Code             |
|------------------|---------------------------------|------------------|
| 4 way corner kit | 4 x 4-way connectors and screws | <b>1-454-041</b> |
| 5 way corner kit | 2 x 5-way connectors and screws | <b>1-454-050</b> |

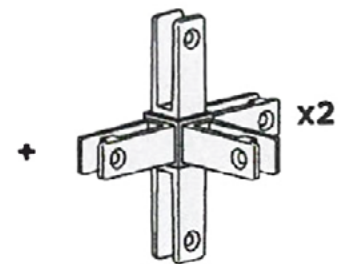
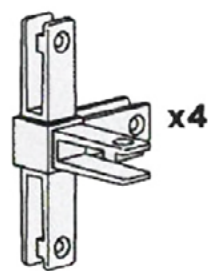
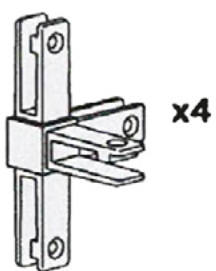
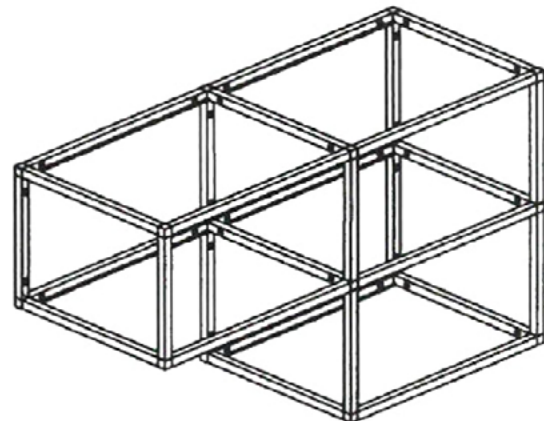
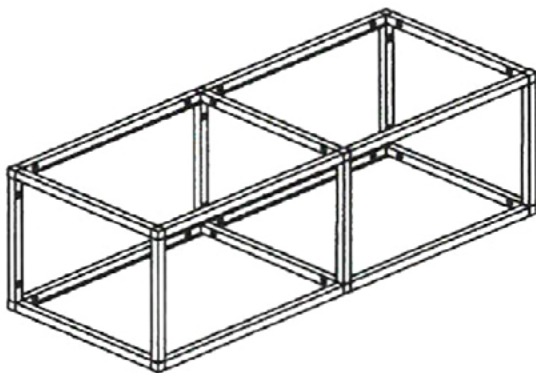
## STANDARD KIT

Each standard kit contains the below items;



## ADDITIONAL CONFIGURATIONS

Use 4-way and 5-way kits to create other layouts. Some examples are featured below;



4-way corner junction

4-way corner junction

5-way corner junction



National Customer Service:  
Ph: 1300 551 919  
Fax: 1300 739 656

[www.lincolnsentry.com.au](http://www.lincolnsentry.com.au)

