



KESSEBÖHMER
CLEVER STORAGE

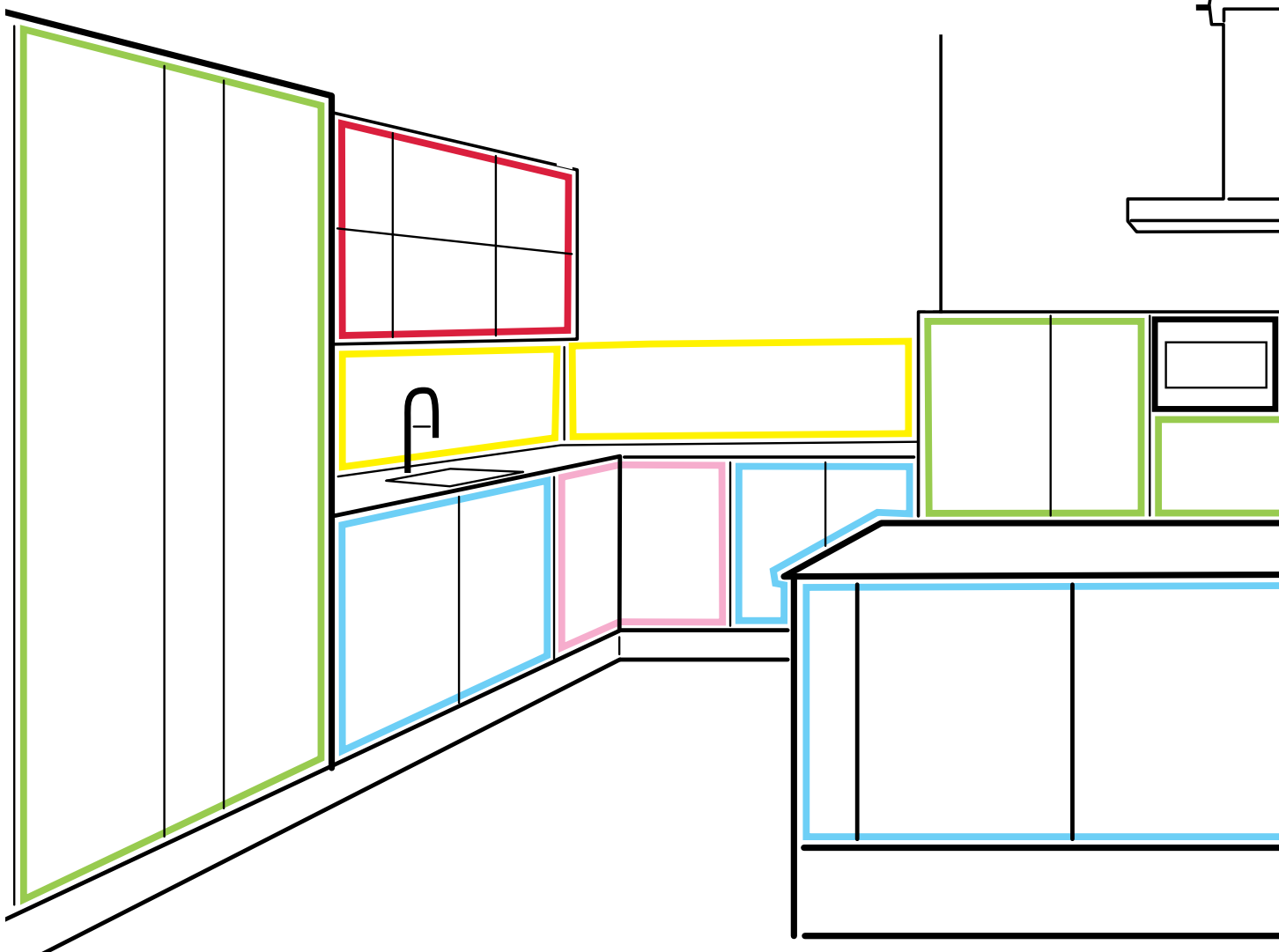
HÄFELE

CHEMNER STORAGE

For Beautiful Kitchens

A SPECIALIST IN EVERY CUPBOARD

A cupboard is rarely just a cupboard - certainly not in the kitchen! Fittings specifically designed to match the contents are the ideal solution. Within these pages you'll find content-specific fittings for storing pots and pans, glasses and plates, cutlery and naturally groceries! A carefully stocked and well organised pantry is the best recipe for successful cooks and for people who enjoy good food. Clever Storage is an approach which focusses on ensuring that everything has its place, your storage is well organised and it's easy for you to find and retrieve the items you want. It's the perfect combination of practical and stylish - and it saves you space and time. See for yourself!



TALL CABINETS

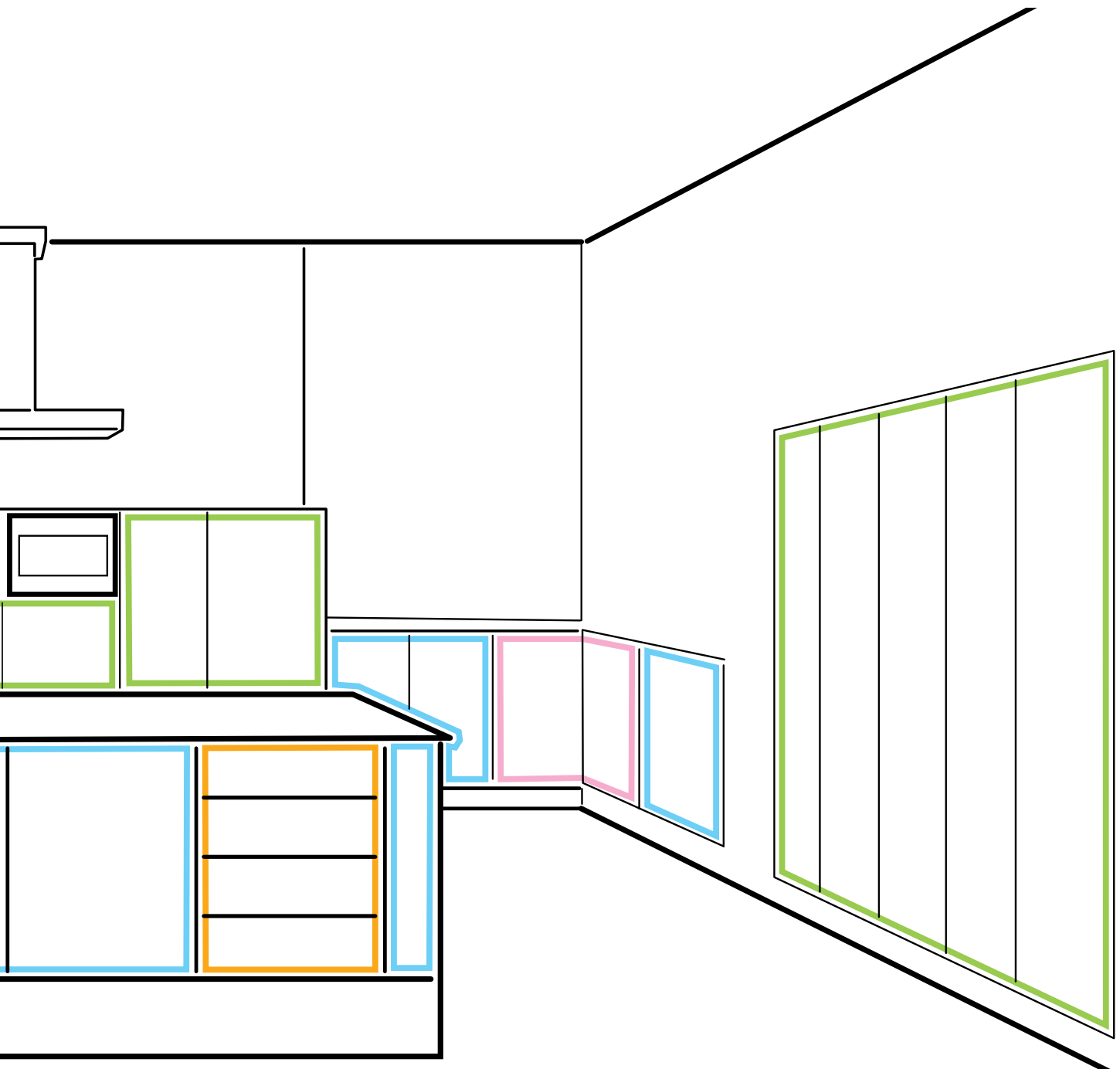
In today's kitchens, high cabinets are planned either as a block or as standalone units. Either way, the result is an elegant unit, and quite often that's where you'll find the technology focus and also the central food storage in the kitchen.

BASE CABINETS

To make smart use of the whole depth of base cabinets in the kitchen, you'll need a fitting that moves all the stored items out in front of the cabinet to give you a clear view and easy access.

CORNER CABINETS

A corner unit is the ideal place to store pots and pans and other kitchen equipment. Our development engineers have come up with a number of solutions in addition to the classic carousel fittings.



OVERHEAD CABINETS

Overhead cabinets play a special role in any kitchen, both because of their visual impact and from a practical point of view. They make tremendous demands - in terms of functionality and user friendliness - on the integrated lifter and parallel lift systems.

MIDWAY SYSTEMS

Who wouldn't want to cook like an expert? A well equipped, professionally organized kitchen is a step in the right direction. It should combine practicality with stylish design.

DRAWER ORGANISATION

Who would have thought that the inside of drawers and pull outs could be so tidy, functional and individual.

TRUE QUALITY ONLY EMERGES FROM CONSULTING



Your professional kitchen designer is here to help you with the ideal Clever Storage application. Throughout the planning stage, they have already applied all the benefits and practicability, so that the Clever Storage application meets your exact expectations and wishes. So take time when planning as it will pay off in the future. Dream kitchens are built by people, for people.

THE KESSEBÖHMER PRODUCT FEATURE WHAT THEY DO AND HOW YOU RECOGNISE THEM



SoftStopp, SoftStopp Plus & SoftStopp Pro provide the best combination as a high performance damping system for cabinets designed to take high loads.

- > SoftStopp dampens the closing action
- > SoftStopp Plus both dampens the closing action plus offers self-closing.
- > SoftStopp Pro adds damped opening to damped closing and self-closing.

eTouch™

eTouch opens cupboards and new possibilities. It has never been easier and more elegant to open cupboards! A gentle push with the hand or knee against the cupboard front triggers a fully automated soft opening mechanism.

ARENAplus

Kesseböhmer developed the special ARENA Plus coating to help items stay in place. It prevents pots, pans, crockery and groceries slipping and sliding when a pull-out is opened or a carousel is turned. All ARENA trays are supplied with the anti-slip coating.

TALL CABINETS

CONVOY PREMIO

“

The next
generation
larder unit



TALL CABINETS

CONVOY PREMIO

The CONVOY Premio from Kesseböhmer offers new functionality combined with perfect movement sequences, to provide a unique experience in any kitchen.

One simple and ergonomic movement opens up the contents of the cabinet for anyone to see and access. It's infinitely flexible to organise thanks to the stepless height adjustable trays, providing full functionality across the height of the cabinet.

The Arena select tray beautiful mixes wood and metal. It starts with the basic storage tray with a low, metal edging finished in powder-coated anthracite. A solid oak FINELINE frame then fits inside the metal tray.

These Arena select trays match perfectly with the material mix and colour lines of the FINELINE MosaiQ range of organiser elements for drawers, too.



Arena Vario Ice White



Arena Vario Anthracite



Arena Select

TALL CABINETS

CONVOY LAVIDO

“

A versatile
solution in
many situations,
not just the
kitchen



TALL CABINETS

CONVOY LAVIDO

The CONVOY Lavido makes a great impression. In contemporary kitchens, in living and dining rooms and as a key element in a home office. These multiple uses ensure that the CONVOY Lavido is “made for life”

What is so special about the CONVOY Lavido? CONVOY Lavido isn't attached to the front panel, so it is perfect for many different designs and applications, such as, behind sliding doors. Not only are all the contents in clear view, they are virtually “presented” to the user. Discover the many beautiful and practical details. Be inspired!

The Arena select tray beautiful mixes wood and metal. It starts with the basic storage tray with a low, metal edging finished in powder-coated anthracite. A solid oak Finline frame then fits inside the metal tray.

These Arena select trays match perfectly with the material mix and colour lines of the Finline MosaiQ range of organiser elements for drawers, too.



Arena Vario Ice White



Arena Vario Anthracite



Arena Select

TALL
CABINETS

CONVOY
CENTRO

“

The central
storage unit
for the new
millennium



TALL CABINETS

CONVOY CENTRO

The CONVOY Centro from Kesseböhmer provides enough space to store all of your groceries with a very small footprint. A light touch moves the entire contents out in front of the unit – for a clear view from either side and very fast access.

It makes kitchen work much easier, it saves time and effort and it avoids the risk of items being forgotten at the back of the cupboard.

Together, the fridge + CONVOY Centro create a complete storage centre in a contemporary fitted kitchen.



Arena Vario Ice White



Arena Vario Anthracite

TALL
CABINETS

TANDEM
PANTRY

“

The perfect
storage
system



TALL CABINETS

TANDEM PANTRY

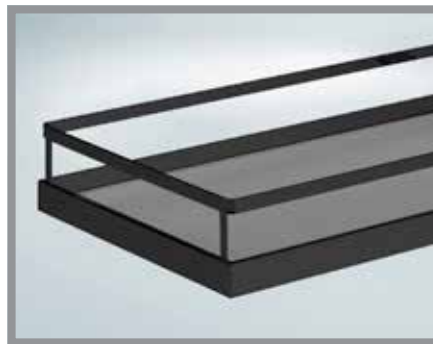
TANDEM offers completely new potential for food storage – just opening the door is an inspiration. In a clever piece of engineering, the back shelf element moves automatically towards the user as the door is pulled open.

Kitchen users can check contents at a glance and easily reach what they want. The shelf element on the door is designed to make best use of available space.

Double the gain by installing two TANDEM units in one kitchen cabinet: to create a TANDEM Depot, suitable for 900mm, 1000mm and 1200mm wide cabinets.



Arena Style Ice White



Arena Style Anthracite



Arena Classic Ice White



Chrome Grid

TALL CABINETS

TANDEM SIDE

“
Different levels
of comfort,
convenience
and style



TALL CABINETS

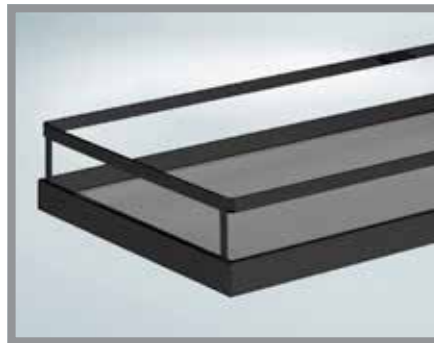
TANDEM SIDE

The TANDEM Side allows you to have height adjustable trays on a door frame system where the weight is taken by the carcass and not the outer door. TANDEM Side also gives you the flexibility of adding YouBoxx in combination with or without the Arena Style trays. Available in two heights, for Under bench and Tall cabinets, the TANDEM Side is a versatile pantry solution.

The new building block system of the modular storage unit is based on the concept of a new back of door shelf element. Different levels of comfort, convenience and style, plus Kesseböhmer product combinations, make it possible to match cabinets perfectly to your needs, both in value and in functionality.



Arena Style Ice White



Arena Style Anthracite



YouBoxx - White/Anthracite

TALL CABINETS

DISPENSA I70

“

The classic
storage
unit, only
narrower



TALL CABINETS

DISPENSA I70

Each DISPENSA I70 tray or basket can be individually hung at a height to suit the contents, making this a flexible solution. It provides a lot of storage with a very small footprint making it a great use of a narrow space.

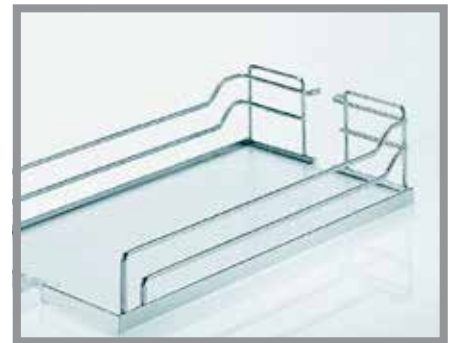
The entire height and width of the unit can be fully utilised. It supports good organisation and fast access as it keeps all of the contents, even on the topmost shelf, in clear view – from either side!



Arena Style Ice White



Arena Style Anthracite



Arena Classic Ice White

TALL CABINETS

DISPENSA 300/400

“
Here’s
to larder
units



TALL CABINETS

HÄFELE

DISPENSA 300/400

Developed specifically as a slim storage unit, millions of DISPENSAs have since been installed around the world. All it takes is a gentle pull for this fitting and contents to glide right out in front of the cabinet. It's easy to fetch whatever you want, or to check the contents and labels at a glance, because storage is self-oriented.

It's easy to change the height of individual trays and baskets, which are available in several strikingly attractive styles. Designed to match and enhance your chosen kitchen style.

The DISPENSA has been engineered to make maximum use of the full width and depth of the cabinet. The transparent sides, feature an exclusive, contemporary look and are designed to give you an optimal view.

DISPENSA is the highest selling larder pull-out fitting in the world. DISPENSA pull-outs are unsurpassed when it comes to German quality, smooth action, reliability and durability.

YouBoxx is an intelligent organiser system that adds value to fittings. The YouBoxx system is designed to fit not only the DISPENSA, but it is a universal system that works with DISPENSA Junior III, COMFORT II and the new TANDEM side.

Personalised storage - as a highly modular system YouBoxx allows users to configure the space inside their cabinet exactly the way it will work best for them. For example, as storage units for chopping boards or for breakfast items.

Secure and clearly organised storage - the YouBoxx elements allows users to keep cabinet contents clearly separated and stored for quick retrieval. Storing small items safely in the boxes reduces the risk of them being mislaid. Bottles and other tall items are held firmly upright by the railing. YouBoxx can be arranged to maximise storage space.



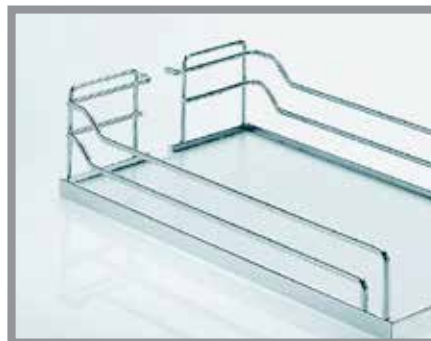
Arena Vario Ice White



Arena Style Anthracite



YouBoxx



Arena Classic Ice White

TALL CABINETS

E-TOUCH

“
Intelligently
synchronised
movements



The small sensor
sends wireless signals

Piezo technology
activates the motor
with a simple touch

TALL CABINETS E-TOUCH

E-Touch is ideal for handle free kitchen designs. It's quick and easy to install whilst remaining compact in design.

E-touch uses anti-collision technology when multiple units are used in one kitchen. It can also be conveniently retrofitted to existing CONVOY and DISPENSA units.



LARGE CAPACITY STORAGE

TANDEM DEPOT

Tandem Depot, with its massive storage capacity, becomes a genuine designer piece with ARENA select trays. It's totally flexible and perfect for kitchens designed to be used and enjoyed.





TAMDEM Depot.
Double the storage
capacity, all in full view
and totally accessible.

BASE CABINETS

DISPENSA JR III

“
Flexible
storage in a
base unit



BASE CABINETS

DISPENSA JR III

DISPENSA Junior III is available for all cabinet widths from 300mm to 600mm and offers numerous optimisation and innovations.

All of the trays and storage options are fully compatible with one another. The DISPENSA Junior III is accessible from both sides - which makes it an extremely flexible and versatile fitting for your kitchen.

YouBoxx is an intelligent organiser system that adds value to fittings. The YouBoxx system is designed to fit not only the DISPENSA Junior III, but it is a universal system that works with DISPENSA, Comfort II and the new TANDEM side.

Personalised storage - as a highly modular system YouBoxx allows users to configure the space inside their cabinet to exactly the way it will work best for them. For example, as storage units for chopping boards or for breakfast items.

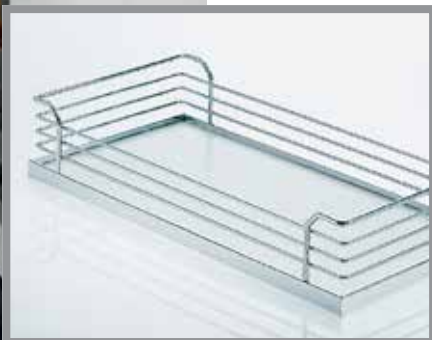
Secure and clearly organised storage - the YouBoxx elements allows users to keep cabinet contents clearly separated and stored for quick retrieval. Storing small items safely in the boxes reduces the risk of them being mislaid. Bottles and other tall items are held firmly upright by the railing. YouBoxx can be arranged to maximise storage space.



Arena Style Ice White



Arena Style Anthracite



Arena Classic Ice White



YouBoxx Ice white/Anthracite



Spice Rack - optional accessory

BASE CABINETS

YOUBOXX

“
The
Intelligent
organiser
system



BASE CABINETS

YOUBOXX

The YouBoxx intelligent organiser system is designed to fit not only the DISPENSA Junior III, but is a universal system that works with DISPENSA, COMFORT II and the new TANDEM side.

As a highly modular system, YouBoxx allows users to personalise and configure the space inside their cabinet exactly the way it will work for them. For example, as storage units for chopping boards or for breakfast items.

The w elements give users secure and clearly organised storage. This allows users to keep cabinets contents clearly separated and stored for quick retrieval. Storing small items safely in the boxes reduces the risk of them being mislaid or forgotten while bottles and other tall items are held firmly upright by the railing.



YouBoxx Anthracite



YouBoxx White

BASE CABINETS

COMFORT II

“
Small
dimensions,
extra
convenience



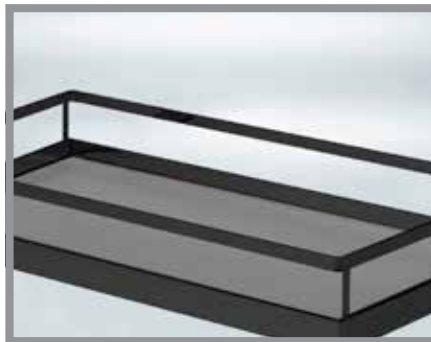
BASE CABINETS COMFORT II

With a choice of trays, widths and height adjustments, the COMFORT II pull-out adapts easily to your requirements. Supplied complete with, ultra-simple assembly, perfect damping and concealed runners.

The Comfort II has an optional purpose built spice rack designed for storing herbs and spices effectively and always within easy reach. It is simply dropped onto the fitting from above and it's ready to use.



Arena Style Ice White



Arena Style Anthracite



Arena Classic Ice White



Spice rack

BASE CABINETS

NO.15

“
Make clever
use of the
narrowest
niches



BASE CABINETS NO.15

Clever ideas fit in everywhere, narrow gaps can provide a surprising amount of storage space and functionality. The No. 15 is designed for a 150mm cabinet and is much more than just a welcome filler.

When placed by the oven, the No. 15 pull-outs are a convenient solution for spices, baking trays or the indispensable tea towel. This high quality equipment gives even the smallest cabinets in the kitchen that special touch of elegance.



Arena Style Chrome



Arena Style Anthracite



Arena Classic Chrome



Towel Rail



Baking Tray

BASE CABINETS

COOKING AGENT

“
Well
organised
for good
cooking



BASE CABINETS

COOKING AGENT

Cooking AGENT has space for everything – spices, oils and sauces, chopping boards, knives, even plates and bowls. It's modular design also makes the Cooking AGENT so versatile and flexible.

It's every cook's dream as everything you need is right where you need it as you work. Cooking AGENT is a true full-extension pull-out that moves all the contents completely out in front of the cabinet. What could be better?



Grey powder coated wire frame

BASE CABINETS

PORTERO

“
All cleaning
agents in
one unit



BASE CABINETS

PORTERO

With a choice of 3 sizes, the integrated Portero "Service Station" gives you the ability of lifting out the cleaning caddy and taking it with you.

The plastic base trays are dishwasher safe and can be removed for cleaning. The lift out caddy comes complete with an ergonomic handle - making not only storage of your household cleaning products organised, but household chores a breeze.



Portero Set I



Portero Set II



Portero Set III

BASE CABINETS

CLEANING AGENT

“

Cleaning has
never been
so easy



BASE CABINETS

CLEANING AGENT

For its light weight and compact design, Cleaning AGENT has a lot of practical features and ample space for storing all your household cleaning products. Totally practical, extremely compact and manufactured to the highest standards.

The divided top tier organises sponges, brushes and other implements. It gets top marks for practicality: with a lift-out bottom rack for cleaning bottles and an ergonomic easy-grip handle.







SLEEK MODERN & STREAMLINE

Designed and Constructed by:
TT Cabinets & Design, Mordialloc, Victoria

This stunning kitchen filled with natural timber finishes and dark colours is a perfect example of the Anthracite colour trend that has dominated the kitchen design industry. TT cabinets have beautifully complemented the natural timber highlights over the island bench with our Natural Oak Finline cutlery inserts in their drawers. They've even included MosaiQ, Portero and the No 15 cabinet fitting to make perfect use of every inch of space to keep the bench top tidy.



CORNER CABINETS

LEMANS II



“
Swings the
contents
out in front

CORNER CABINETS LEMANS II

LeMans II trays swing separately and completely out of the corner cabinet in a smooth and elegant movement. You have a clear overview and easy access to everything in your corner cabinet.

It's highly practical if you're storing pots and pans, especially since you can adjust the tray height for optimal storage. With 25 kgs capacity per shelf, it's just as capable of storing your crockery or small appliances.



Arena Style Ice White



Arena Style Anthracite



Arena Classic Ice White

CORNER CABINETS

MAGIC CORNER

“

A brilliant
solution for
corner space



CORNER CABINETS

MAGIC CORNER

The name says it all. Although this has less to do with magic and more to do with the cleverness and technical refinement!

Magic Corner is capable of housing two complete storage solutions beside each other in one blind corner cabinet.

With just one movement, the intelligent sliding technology simultaneously drives the front and pulls the back into clear view and easy access. As one would expect from Kesseböhmer, this occurs in a flowing, silent train of motion.

Even closing is a simple function: A small push is sufficient - then SoftStopp takes care of the rest. Quiet and smooth, just like its namesake - magic.



Arena Style Ice White



Arena Classic Ice White

CORNER CABINETS

CAROUSEL 270

“

The classic
solution



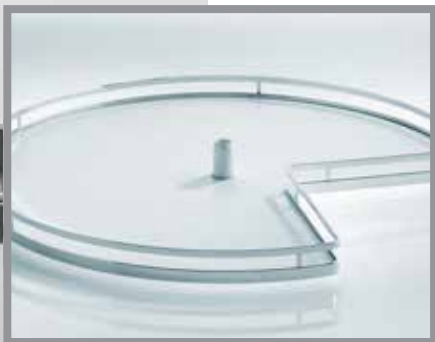


CORNER CABINETS

CAROUSEL 270

The combination of a solid base and an elegant railing – in a high end transparent look – lends new accents even to this classic corner cabinet solution.

Yet practical aspects don't miss out either: The shelves can be adjusted to any height at any time.



Arena Style Ice White



Arena Classic Ice White

CORNER CABINETS

REVO 90

“
The round
solution
for square
corners



CORNER CABINETS REVO 90

The established revolving corner cabinet principle in a fine ARENA look. A recently developed control mechanism enables a controlled action through all phases; from the doors softly folding back to the swift rotation and finally the automatic closing movement.

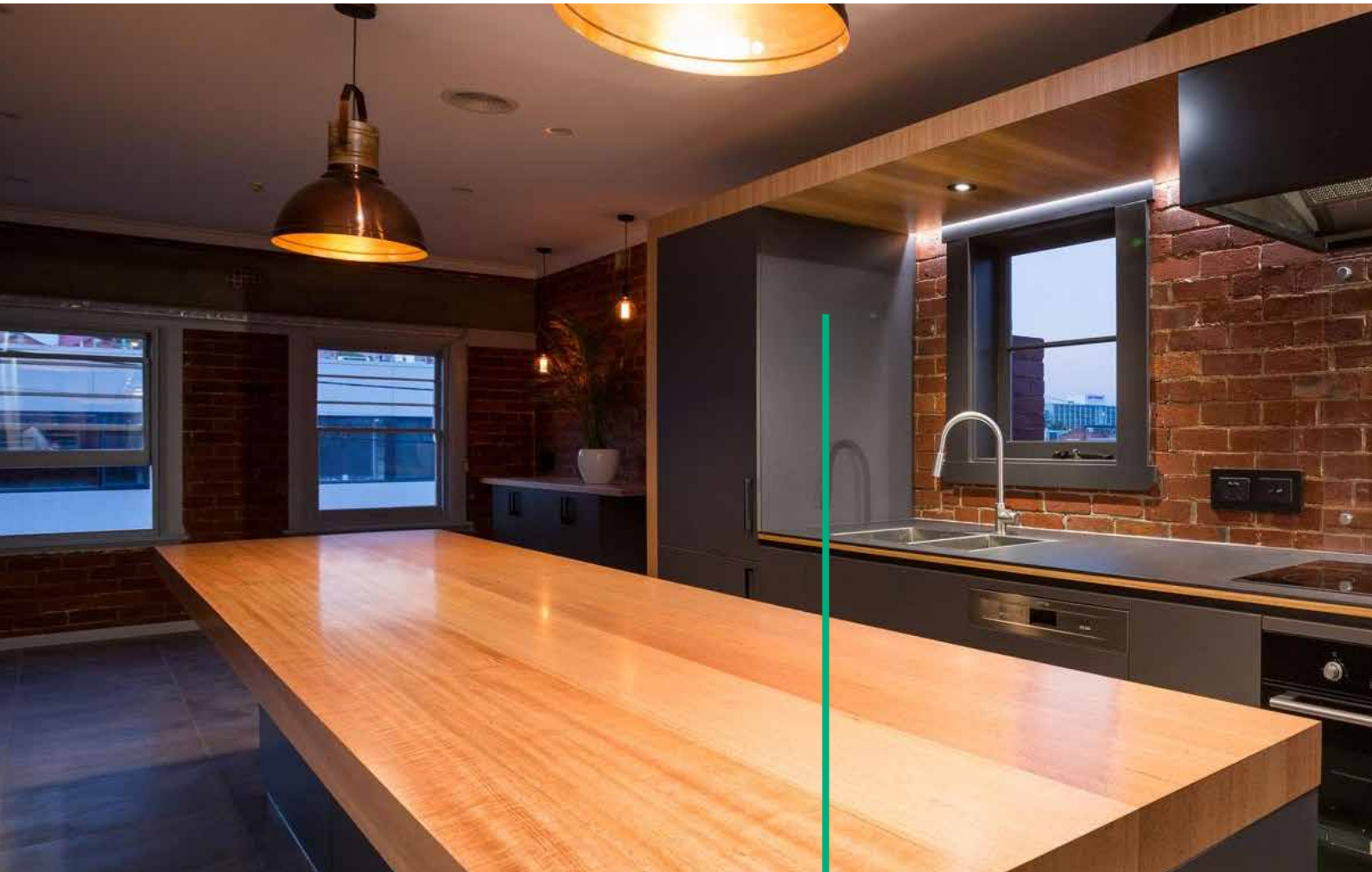
Thanks to rotational dampening and to REVOFIT, the action turns into an individual experience.



Arena Style Ice White



Arena Classic Ice White



INDUSTRIAL STYLED CONVENIENCE

Designed and Constructed by:
Monaco Joinery & Design, Hobart,
Tasmania

It's important for your kitchen to not only look great but also function well. In this trendy kitchen from Monaco Joinery and Design they used a Dispensa Pantry to make sure that all the bits they needed were well organised into the easily accessible pantry.



OVERHEAD CABINETS

iMOVE

“
Everything in
easy reach



OVERHEAD CABINETS

iMOVE

Kesseböhmer's iMove sets new standards for wall units. The product combines the beautiful and the practical with one effortless movement. The interior of the cupboard comes out to meet you. There's easy operation, more reachable storage, a clearer view and fast access.

The innovative iMove pull-down transforms a conventional wall unit into an ergonomic storage system with big user benefits. The iMove and its contents are pulled downwards and outwards in one easy movement.



Ice White



Anthracite

OVERHEAD CABINETS

TURNMOTION II

“
All-round,
effortless
access



OVERHEAD CABINETS TURNMOTION II

With TurnMotion II, the fitting revolves effortlessly to move any side around to face you. Each tray turns individually by 360° in either direction so that the contents on all four sides move into clear view and easy reach.

This fitting is an ultra-practical solution for storage space that is above the ergonomically accessible height.

It's also perfect for the often under-utilized space above integrated appliances. Stops on each of the four sides lock the tray temporarily in position so that items can be lifted in or out safely. TurnMotion II trays are height adjustable so that you can position them at the height you need.



Anthracite



Ice White

WHEN EVERYTHING HAS ITS PLACE

**Designed and Constructed by:
J&C Cabinets, Rocklea, Queensland**

With everything perfectly in its place in this J&C Cabinets kitchen, it was important to include a Dispensa pantry to help keep everything tidy, even when you're using it. The Dispensa is a perfect solution for accessing your entire pantry easily with a simple pull on the door to slide it out.





MIDWAY SYSTEMS

LINERO MosaiQ

“

Wide user
choice, striking
contemporary
design



MIDWAY SYSTEMS

LINERO MosaiQ

The area between the worktop and the wall units is the ideal place to keep the items you use often. Stored in a well designed rail system, they also look decorative and are easy to reach from the main cooking area. With LINERO MosaiQ, Kesseböhmer offers an attractive modular system for a wide range of applications.

LINERO MosaiQ combines striking contemporary design with total practicality. It opens up new vistas for eye catching kitchen design. The LINERO MosaiQ modules fit perfectly - in style, colour and materials - with the clear lines of contemporary kitchen architecture.

As a modular system LINERO MosaiQ generates any number of alternative applications. Modules include universal shelves containers for kitchen implements, hook strips, a rail to hang a tea towel or a cooking ladel. There even is a twin roll holder with a patented tear off system, a paper roll holder, a memoboard and a magnetic knife block.

The modular system can be altered and adapted again and again in response to changing situations and requirements. And you can swap individual modules around easily.







NOT A MILLIMETER OF SPACE WASTED

**Designed and Constructed by:
Prestige Kitchens, Labrador, Queensland**

Truly living up to their name, Prestige Kitchens have out done themselves yet again. In this kitchen they have included the Premio pantry, iMove, and Turnmotion all in the most on trend colours right now, Anthracite. They've even included the innovative Climber overhead cabinet fitting to seamlessly expose or conceal your cabinet contents.

DRAWER ORGANISATION

FINELINE MosaiQ

“
Tidy,
Functional
and Individual

DRAWER ORGANISATION

FINELINE

MosaiQ

Who would have thought that the inside of drawers and pull-outs could be so tidy, functional and individual. FINELINE MosaiQ is fun to plan and work with.

Made with a material mix of attractive wood and fine metal, the range creates a contemporary, high-end look and a balanced, visual link to carefully chosen kitchen fronts.







NOTES

TURN OVER A NEW LEAF

There's no time like now to maximise the storage and functionality in your new or existing kitchen.

HÄFELE

732.98.663 KESSEBÖHMER CLEVER STORAGE - 07.2019

Häfele Australia Pty. Ltd. | 8 Monterey Road | Dandenong | Victoria 3175
Phone: 1300 659 728 | **Fax:** (03) 9212 2001 | **Email:** info@hafele.com.au | www.hafele.com.au

Häfele New Zealand Pty. Ltd. | 16 Accent Drive | East Tamaki | Auckland 2013
Phone: 0800 442 335 | **Email:** info@hafele.co.nz | www.hafele.co.nz

HÄFELE LOCATIONS:

Australia | MELBOURNE | SYDNEY | NEWCASTLE | BRISBANE | ADELAIDE | LAUNCESTON | HOBART | PERTH
New Zealand | NORTH ISLAND | LOWER NORTH ISLAND | CENTRAL REGION | SOUTH ISLAND

Clever Storage Checklist

TALL CABINETS

- Convoy Premio pg.6-7
- Arena Vario Ice White
- Arena Vario Anthracite
- Arena Select
- Convoy Lavido pg.8-9
- Arena Vario Ice White
- Arena Vario Anthracite
- Arena Select
- Convoy Centro pg.10-11
- Arena Vario Ice White
- Arena Vario Anthracite
- Tandem pg.12-13
- Arena Style Ice White
- Arena Style Anthracite
- Arena Classic Ice White
- Chrome Grid
- Tandem Side pg.14-15
- Arena Style Ice White
- Arena Style Anthracite
- YouBoxx
- Dispensa 170 pg.16-17
- Arena Style Ice White
- Arena Style Anthracite
- Arena Classic Ice White
- Dispensa pg.18-19
- Arena Vario Ice White
- Arena Style Ice White
- Arena Style Anthracite
- Arena Classic Ice White
- Chrome Grid
- YouBoxx
- E-Touch pg.20-21
- Convoy Premio
- Convoy Lavido
- Convoy Centro
- Dispensa

TALL CABINETS

- iMove pg.50-51
- Ice White
- Anthracite
- Turnmotion pg.52-53
- Ice White
- Anthracite

MIDWAY SYSTEMS

- Linero MosaiQ pg.56-57

BASE CABINETS

- Dispensa Jr III pg.24-25
- Arena Style Ice White
- Arena Style Anthracite
- Arena Classic Ice White
- YouBoxx
- YouBoxx pg.26-27
- White
- Anthracite
- Comfort II pg.28-29
- Arena Style Ice White
- Arena Style Anthracite
- Arena Classic Ice White
- Spice Tray Accessory
- No.15 pg.30-31
- Arena Style Chrome
- Arena Style Anthracite
- Arena Classic Chrome
- 2 Tier Pull Out
- Towel Rail Pull Out
- Baking Tray Pull Out
- Cooking Agent pg.32-33
- Portero pg.34-35
- Set I
- Set II
- Set III
- Cleaning Agent pg.36-37

CORNER CABINETS

- LeMans II pg.40-41
- Arena Style Ice White
- Arena Style Anthracite
- Arena Classic Ice White
- Magic Corner pg.42-43
- Arena Style Ice White
- Arena Classic Ice White
- Carousel 270 pg.44-45
- Arena Style Ice White
- Arena Classic Ice White
- Revo 90 pg.46-47
- Arena Style Ice White
- Arena Classic Ice White

DRAWER ORGANISATION

- Finline MosaiQ pg.60-61
- Natural Oak
- Ash Black



KESSEBÖHMER
CLEVER STORAGE



HOW CLEVER IS YOUR KITCHEN?



Kitchen Cupboard Checklist

Tall Cabinet QTY_____

Corner Cabinet QTY_____

Overhead Cabinets QTY_____

Drawer QTY_____

Base Cabinet QTY_____